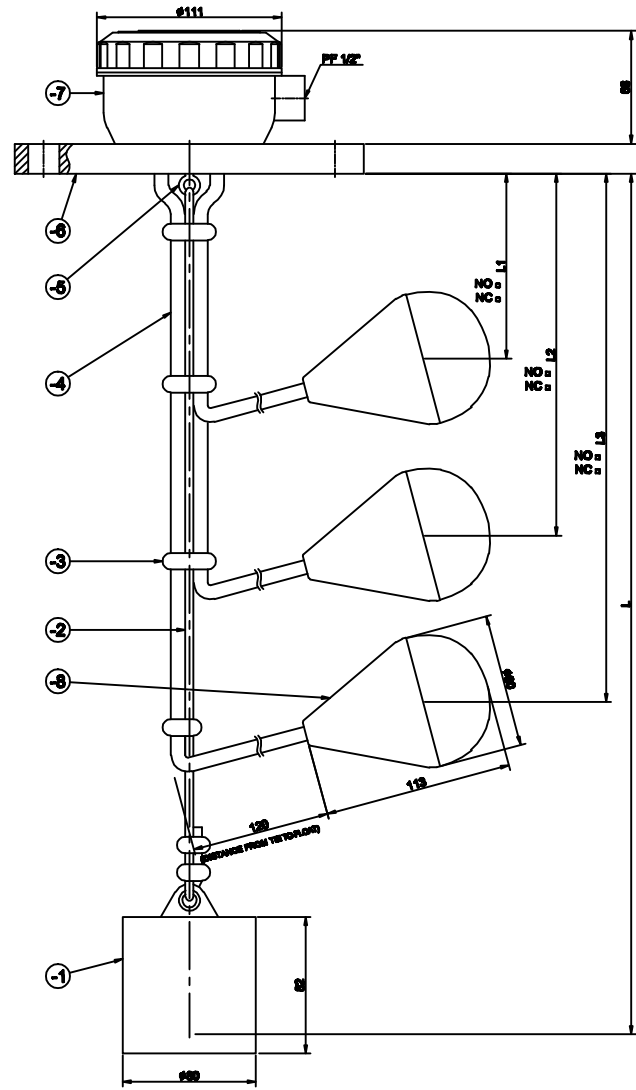


DWG NO
-

THIS DRAWING IS PROPRIETARY TO DMS
NO PART OF THIS DRAWING MAY BE REPRODUCED
WITHOUT THE PERMISSION OF DMS
DMS-1000-0000-0000



(UNIT:mm)			
L	L1	L2	L3
-8	DQ-1	3	A.B.S
-7	HEAD	1	A.B.S
-6	FLANGE	1	P.P
-5	EYE BOLT	1	NYLON
-4	CABLE	3	NEOPRENE
-3	CABLE TIE	6	A.B.S
-2	P.P WIRE	1	P.P
-1	WEIGHT	1	ABS+SS41
1	DQ-13F	1SET	-
ITEM NO	PART NAME	QTY	MATERIAL

SPECIFICATION	
MODEL NAME	DQ-13F
PRESSURE	A.T.M
TEMPERATURE	MAX.50°C
APPLICATIONS	WATER, SLUDGY LIQUID, FACTORY DRAINAGE
SWITCHING CURRENT	AC220V, 3A
MOUNTING METHOD	TOP
MOUNTING SIZE	ORDER MADE
REMARKS : ORDER MADE(L, L1, L2, L3)	

배부처

NO	DATE	REVISION	INITIAL	RELEASE DATE
1	2014.01.27	1	K.B.HAN	

TOLERANCES-UNLESS OTHERWISE SPECIFIED					
WORK	TURN	PLATE	DRIFT	DRIFT	DRIFT
±0.1	±0.2	±0.3	±0.5	±0.5	±0.5
±0.2	±0.3	±0.5	±0.7	±0.8	±0.8
±0.3	±0.4	±0.7	±1.0	±1.2	±1.5
±0.4	±0.5	±1.0	±1.5	±2.0	±2.5
±0.5	±1.0	±2.0	±2.5	±3.0	±3.5
±0.6	±1.5	±2.5	±3.0	±4.0	±5.0
±0.7	±2.0	±3.0	±4.0	±5.0	±6.0
±0.8	±2.5	±4.0	±5.0	±6.0	±7.0
±0.9	±3.0	±5.0	±6.0	±7.0	±8.0
±1.0	±4.0	±6.0	±7.0	±8.0	±9.0
±1.5	±5.0	±8.0	±10.0	±12.0	±15.0
±2.0	±6.0	±10.0	±12.0	±15.0	±20.0
±2.5	±8.0	±12.0	±15.0	±20.0	±25.0
±3.0	±10.0	±15.0	±20.0	±25.0	±30.0
±4.0	±12.0	±20.0	±25.0	±30.0	±40.0
±5.0	±15.0	±25.0	±30.0	±40.0	±50.0
±6.0	±20.0	±30.0	±40.0	±50.0	±60.0
±8.0	±30.0	±40.0	±50.0	±60.0	±80.0
±10.0	±40.0	±50.0	±60.0	±80.0	±100.0

DONG SUNG SENSORS CO.,LTD. TEL:(02)2025-9999-9 FAX:(02)2025-9997				UNIT 단위	MM, INCH	APPAR.	-
표준	DRAWN BY 제도	DESIGN BY 설계	CHECK BY 검표	APPROVED BY 승인	SCALE 비율	N/S	TITLE 제목
임시	J.S.LIM	K.B.HAN				3RD ANGLE 3각법	DQ-13F
보류	DATE	2013.12.02	2014.01.06			REF. NO 참고도면	DWG. NO 도면번호
							-

REF. NO	DWG. NO
참고도면	도면번호
	-

APPAR.	-
TITLE	DQ-13F
DWG. NO	-
도면번호	1/1