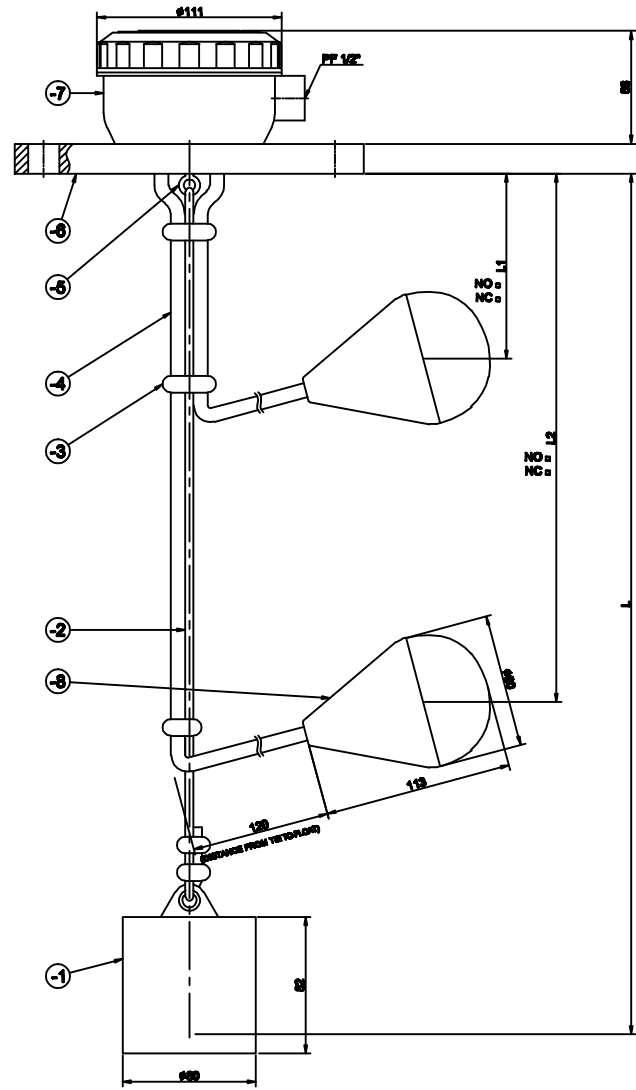


DWG NO
-

THIS DRAWING IS PROPRIETARY TO DMS
NO PART OF THIS DRAWING MAY BE REPRODUCED
WITHOUT THE PERMISSION OF DMS
DMS-2014-01-27



(UNIT:mm)			
L	L1	L2	-
-8	DQ-1	2	A.B.S
-7	HEAD	1	A.B.S
-6	FLANGE	1	P.P
-5	EYE BOLT	1	NYLON
-4	CABLE	2	NEOPRENE
-3	CABLE TIE	5	A.B.S
-2	P.P WIRE	1	P.P
-1	WEIGHT	1	ABS+SS41
1	DQ-12F	1SET	-
ITEM NO	PART NAME	QTY	MATERIAL
SPECIFICATION			
MODEL NAME	DQ-12F		
PRESSURE	A.T.M		
TEMPERATURE	MAX.50°C		
APPLICATIONS	WATER, SLUDGY LIQUID, FACTORY DRAINAGE		
SWITCHING CURRENT	AC220V, 3A		
MOUNTING METHOD	TOP		
MOUNTING SIZE	ORDER MADE		
REMARKS :	ORDER MADE(L, L1, L2)		

배부처

NO	DATE	REVISION	INITIAL RELEASE	K.L. HAN	2014.01.27	1	4	±0.1	±0.2	±0.3	±0.5	±0.7	±0.8	±0.9	±1.0	±1.5	±2.0	±2.5	±3.0	±4.0	±5.0	±6.0	±8.0	±10.0
<p>표준 DMS-2014-01-27</p> <p>임시</p> <p>보류</p> <p>DATE 2013.12.02 2014.01.06</p>																								
<p>DONG SUNG SENSORS CO.,LTD. TEL:(02)2025-9999-9 FAX:(02)2025-9997</p>												UNIT	MM, INCH	APPAR.	-									
<p>표준</p> <p>제도 설계 검토 승인</p> <p>J.S.LIM K.B.HAN</p>												SCALE	N/S	TITLE	DQ-12F									
<p>3RD ANGLE</p> <p>3각법</p>												REF. NO	DWG. NO	-	1/1									