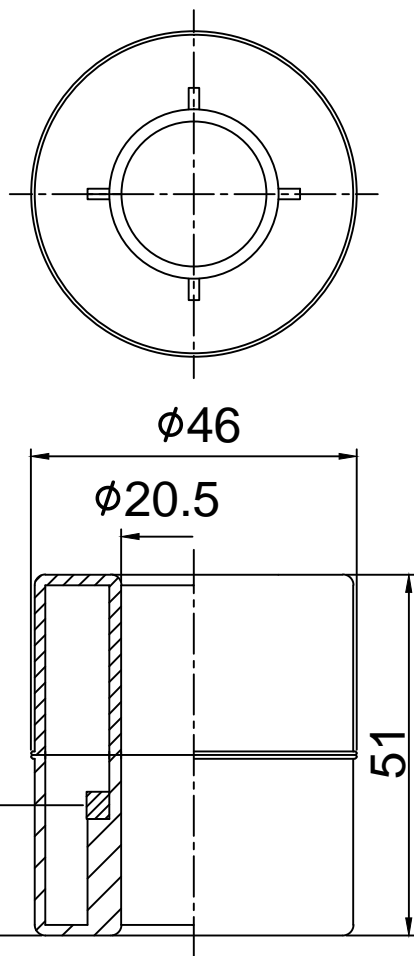


DWG NO  
-

THIS DRAWING IS PROPRIETARY TO DSS.  
IT IS NOT TO BE REPRODUCED  
WITHOUT THE PERMISSION OF DSS.  
본 도면은 DSS의 재산입니다.  
재사용을 허가하지 않습니다.



배부처

1	DF-PP10	1	P.P
ITEM NO	PART NAME	Q'TY	MATERIAL
SPECIFICATION			
MODEL NAME		DF-PP10	
PRESSURE		MAX.2Kgf/cm <sup>2</sup>	
TEMPERATURE		MAX.80°C	
DIMENSION		φ46xφ20.5x51	
WEIGHT		24g	
SPECIFIC GRAVITY		0.35	
REMARKS :			

DONG SUNG SENSORS CO.,LTD TEL:(02)2025-8988-9 FAX:(02)2025-8987		UNIT 단위	MM, INCH	APPAR.	-
TOLERANCES-UNLESS OTHERWISE SPECIFIED		SCALE 척도	N/S	TITLE 제목	DF-PP10
NO	DATE	DRWN BY 제도	DSND BY 설계	CHKD BY 검토	APPD BY 승인
1	2019.03.06	J.H.HAN	K.B.HAN		
2	2019.03.06				
3					
4					
5					
6					
7					
8					
9					
10					
11					
12					
13					
14					
15					
16					
17					
18					
19					
20					
21					
22					
23					
24					
25					
26					
27					
28					
29					
30					
31					
32					
33					
34					
35					
36					
37					
38					
39					
40					
41					
42					
43					
44					
45					
46					
47					
48					
49					
50					
51					
52					
53					
54					
55					
56					
57					
58					
59					
60					
61					
62					
63					
64					
65					
66					
67					
68					
69					
70					
71					
72					
73					
74					
75					
76					
77					
78					
79					
80					
81					
82					
83					
84					
85					
86					
87					
88					
89					
90					
91					
92					
93					
94					
95					
96					
97					
98					
99					
100					