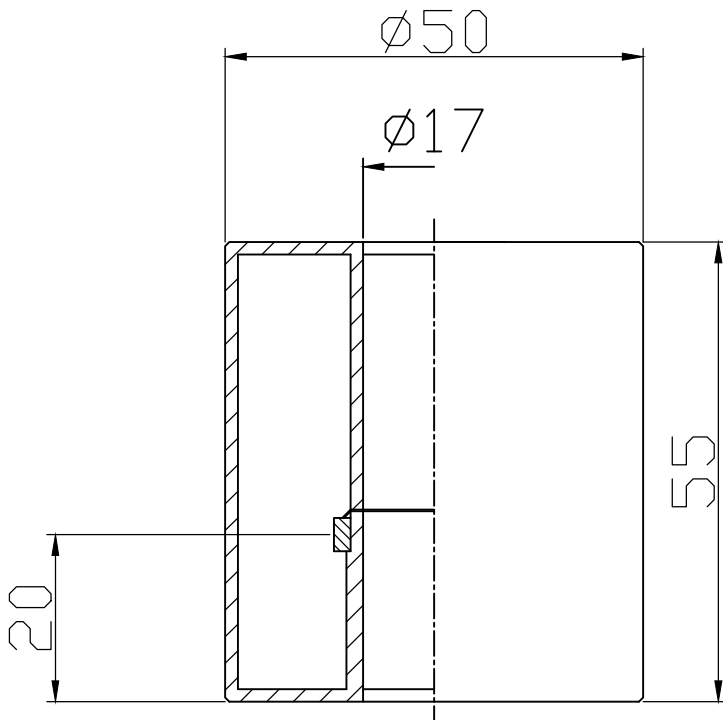
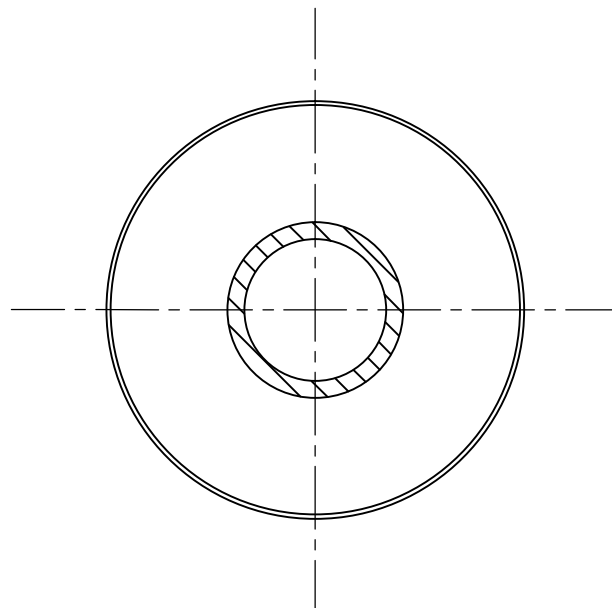


ON 9/10

THIS DRAWING IS PROPRIETARY TO DSS  
NO PART OF THIS DRAWING MAY BE  
REPRODUCED WITHOUT THE PERMISSION OF DSS  
© 2014 DONG SUNG SENSORS CO., LTD.



SPECIFICATION	
MODEL NAME	DF-T3
PRESSURE	ATM
TEMPERATURE	MAX.80°C
DIMENSION	ø50xH55xø17
WEIGHT	69g
SPECIFIC GRAVITY	0.72
MATERIAL	P.T.F.E
REMARKS:	

배부처


NO	DATE	2014.01.27	REVISION	INITIAL	K.B.HAN	APPD BY	TOLERANCES-UNLESS OTHERWISE SPECIFIED				UNIT	MM, INCH	APPAR.	-	
	REVISION	1		DATE	01.27		BY	HAN	DRWG. SIZE	TURN PUNCH DIST. HOLE STR.					M.D.G. DIE CSTG. FROM DRAW.
DRWN BY	J.H.HAN	DSND BY	K.B.HAN	CHKD BY	K.B.HAN	APPD BY									
DATE	2019.01.16.	DATE	2019.01.16.	REF. NO		DWG. NO									1/1

**DONG SUNG SENSORS CO.,LTD.**  
TEL<02>2025-8988~9 FAX<02>2025-8987

표준  
임시  
보류

UNIT  
단위  
MM, INCH

SCALE  
척도  
N/S  
각

REF. NO  
참고도면

APPAR. -

TITLE  
제목  
DF-T3

DWG. NO  
도면번호  
-

1/1