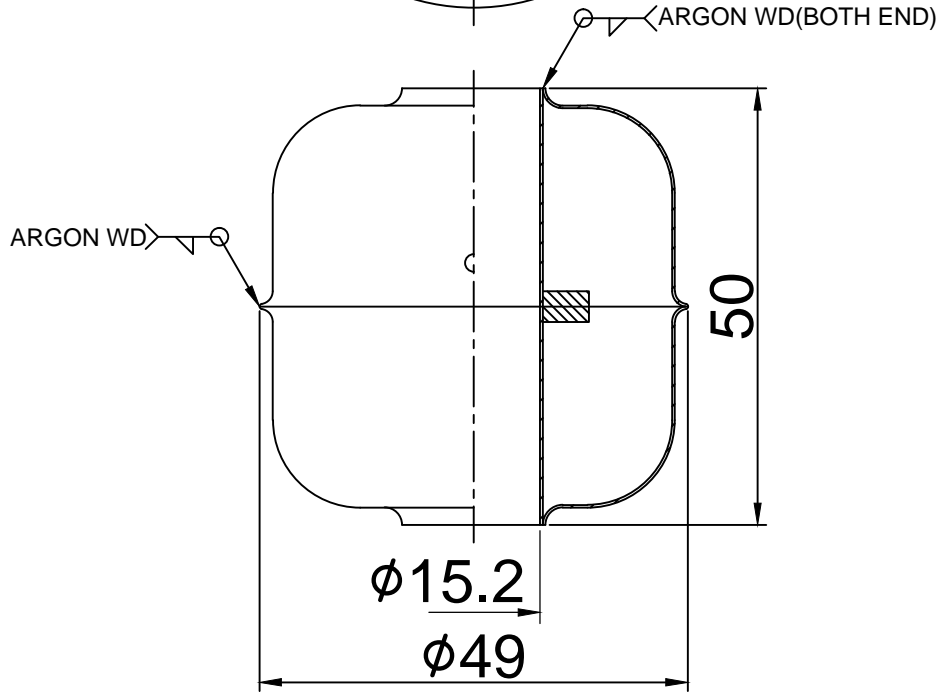
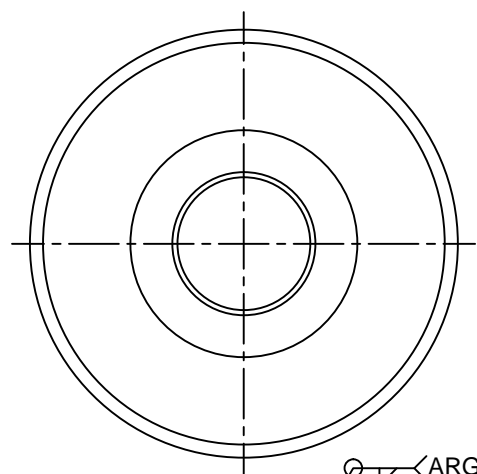


DWG NO
 01.27

THIS DRAWING IS PROPRIETARY TO DSS
 NO PART OF THIS DRAWING MAY BE REPRODUCED
 WITHOUT THE PERMISSION OF DSS
 본 도면은 DSS사의 재산입니다
 무단으로 복제 또는 배포할 수 없습니다



배부처									

1	DF-S13	1	SUS304
ITEM NO	PART NAME	Q'TY	MATERIAL
SPECIFICATION			
MODEL NAME		DF-S13	
PRESSURE		MAX.10Kgf/cm ²	
TEMPERATURE		MAX. 120°C	
DIMENSION		φ49xφ15.2x50	
WEIGHT		32g	
SPECIFIC GRAVITY		0.45	
REMARKS :			

APPD BY K.B.HAN	TOLERANCES-UNLESS OTHERWISE SPECIFIED				UNIT MM, INCH	APPAR.	-
REVISION	NO	DATE	DRWN BY J.H.HAN	DSND BY K.B.HAN	SCALE N/S	TITLE 제목	DF-S13
2014.01.27	1	2014.01.27	임시	본류	3RD ANGLE 3각법	REF. NO 참고도면	DWG. NO 도면번호
			DATE 2017.08.21.	DATE 2017.08.21.			1/1