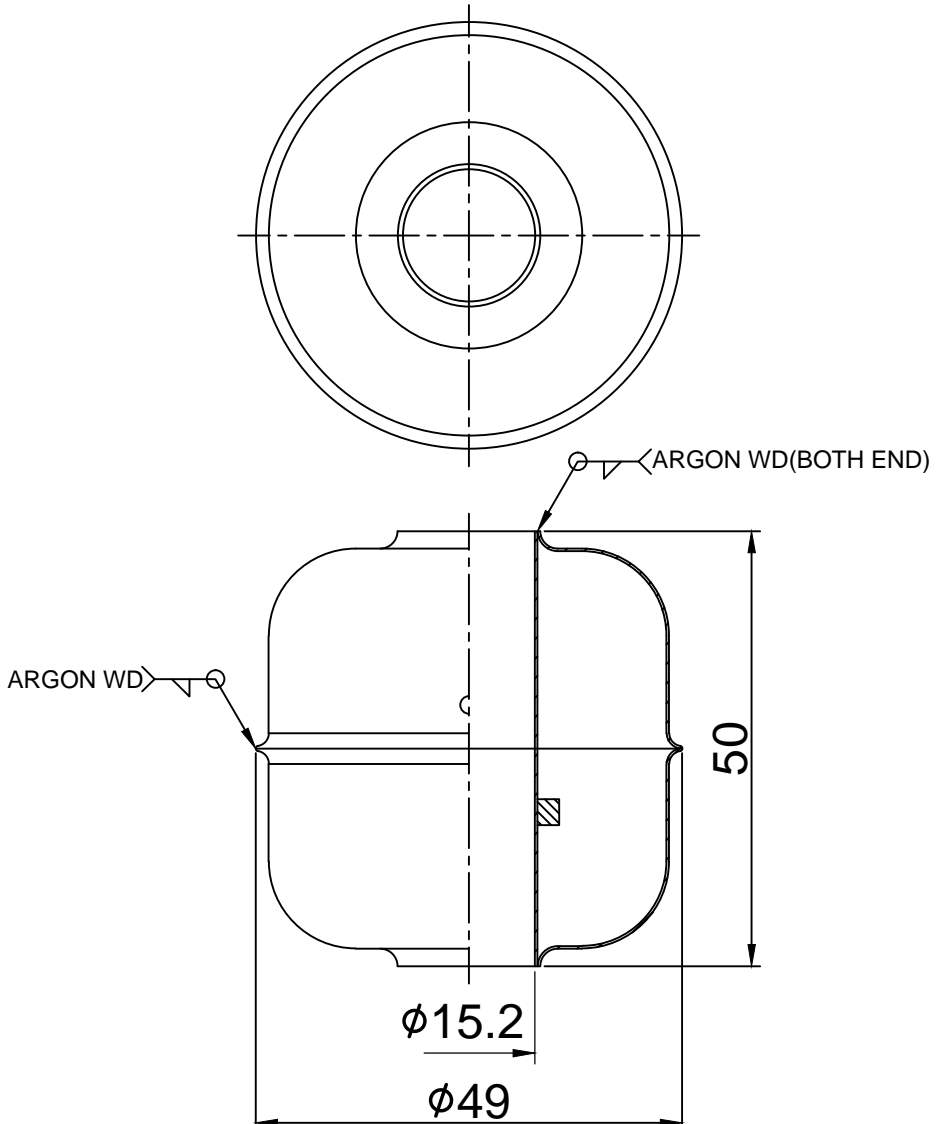


DWG NO  
 도면번호  
 -

THIS DRAWING IS PROPRIETARY TO DSS  
 NO PART OF THIS DRAWING MAY BE REPRODUCED  
 허가없이 복사할 수 없음



배부처

1	DF-S12	1	SUS304
ITEM NO	PART NAME	QTY	MATERIAL
SPECIFICATION			
MODEL NAME		DF-S12	
PRESSURE		MAX.10Kgf/cm <sup>2</sup>	
TEMPERATURE		MAX.120°C	
DIMENSION		φ49xφ15.2x50	
WEIGHT		30.5g	
SPECIFIC GRAVITY		0.43	
REMARKS :			

DONG SUNG SENSORS CO.,LTD. TEL:(02)2025-8988-9 FAX:(02)2025-8987	UNIT 단위	MM, <del>INCH</del>	APPAR.	-
	SCALE 척도	N/S	TITLE 제목	DF-S12
	3RD ANGLE 각 법	J.H.HAN	DATE	2017.08.21.
	REF. NO 참고도면	K.B.HAN	DATE	2017.08.21.

NO	DATE	REVISION	INITIAL RELEASE	TOLERANCES-UNLESS OTHERWISE SPECIFIED				
				WORK SIZE	TURN FINCHG DIST OF HOLES STR.	MILDG. DIE CSTG. PRGM. CSTG. DR.HV.	SHMET WELD GAS CTG.	CSTG. FORG.
1	4	±0.1	±0.2	±0.3	±0.5			
4	16	±0.2	±0.3	±0.5	±0.7			
16	63	±0.3	±0.4	±0.7	±0.9			
63	250	±0.4	±0.6	±1.2	±1.3			
250	1000	±0.5	±0.8	±1.5	±1.5			
1000	1000	±0.8	±1.0	±2.0	±2.5			
1000	2000	±1.0	±1.5	±2.5	±3.3			
ANGLE		±.25°	±.5°	±1.0°	±2.0°			