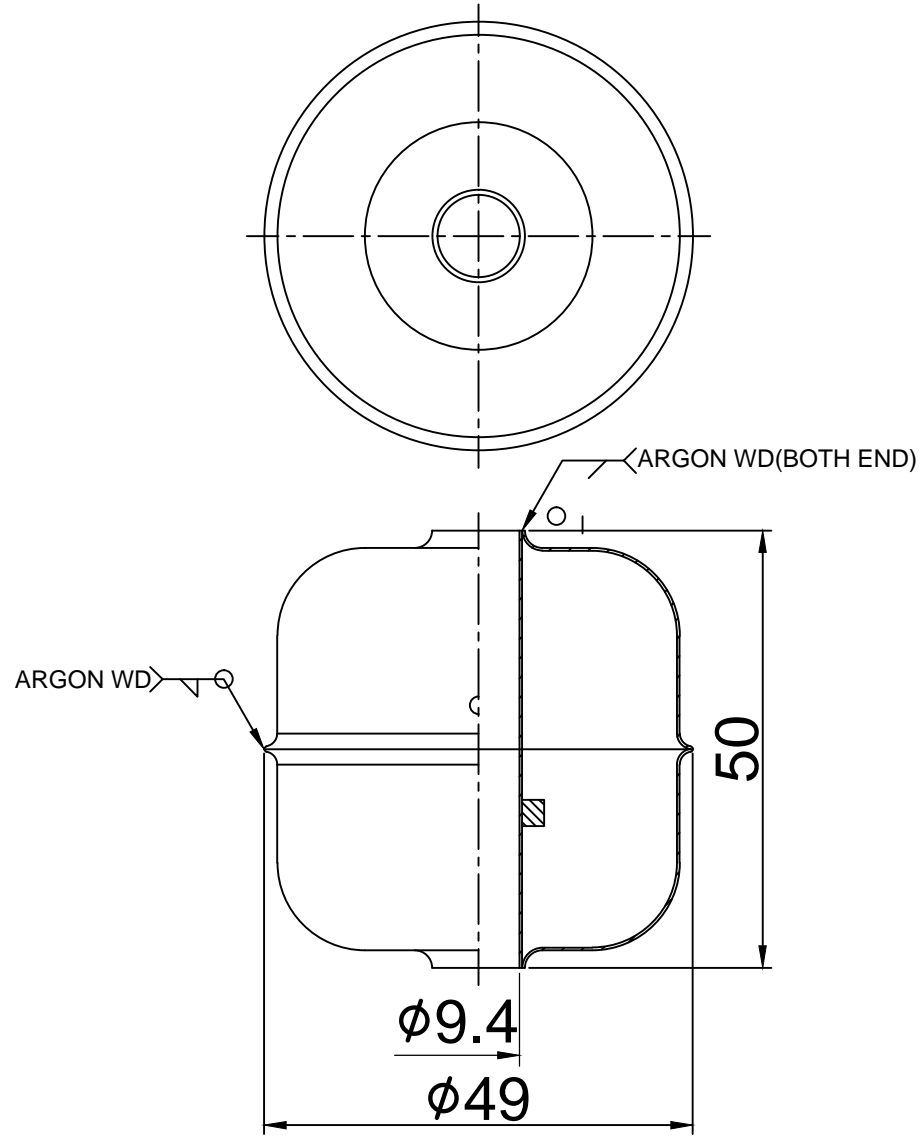


DWG NO
 -

THIS DRAWING IS PROPRIETARY TO DSS
 NO PART OF THIS DRAWING MAY BE REPRODUCED
 WITHOUT THE PERMISSION OF DSS
 본 도면은 DSS의 기밀 정보입니다. 무단 복제 및 배포를 금지합니다.



배부처									

1	DF-S11	1	SUS304
ITEM NO	PART NAME	QTY	MATERIAL
SPECIFICATION			
MODEL NAME		DF-S11	
PRESSURE		MAX.10Kgf/cm ²	
TEMPERATURE		MAX.120°C	
DIMENSION		φ49xφ9.4x50	
WEIGHT		23g	
SPECIFIC GRAVITY		0.28	
REMARKS :			

NO	DATE	2014.01.27	TOLERANCES-UNLESS OTHERWISE SPECIFIED WORK SIZE OVER 10mm ±0.1 ±0.2 ±0.3 ±0.5 TURN FINISH DIST. OF HOLE STR. ±0.2 ±0.3 ±0.5 ±0.7 MLDG. DIE CASTING PRCN. CASTG. DRAW. ±0.3 ±0.4 ±0.7 ±0.9 SH MET WELD GAS CTG. ±1.2 ±1.3 CASTG. FORG. ±1.5 ±1.8 1000 ±1.2 ±1.5 ±1.5 ±3.3 2000 ±1.2 ±1.5 ±1.5 ±3.3 ANGLE ±.25° ±.5° ±1.0° ±2.0°	DONG SUNG SENSORS CO.,LTD. TEL:(02)2025-8988-9 FAX:(02)2025-8987				UNIT	MM, INCH	APPAR.	-
	REVISION	INITIAL		RELEASE	K.B. HAN	(표준) DRWN BY J.H.HAN DSND BY 설계 CHKD BY K.B.HAN APPD BY 승인	SCALE	N/S	TITLE		
DATE	2017.08.21.	2017.08.21.	인시 본 DATE	3RD ANGLE 3 각 REF. NO 참고도면	DWG. NO	-	도면번호	1/1			