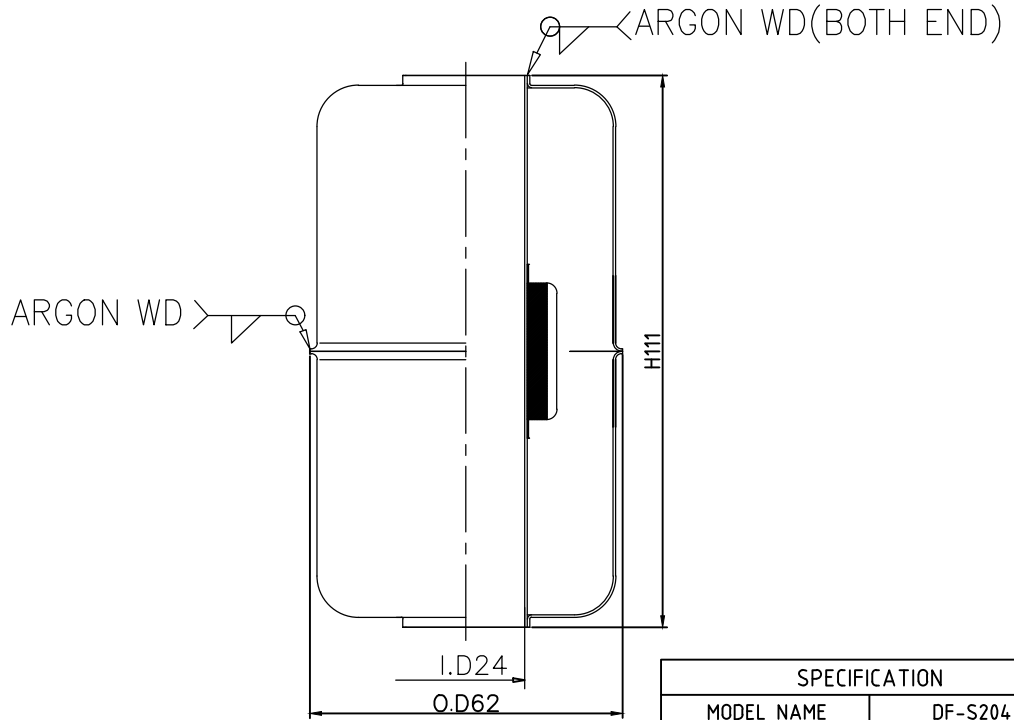
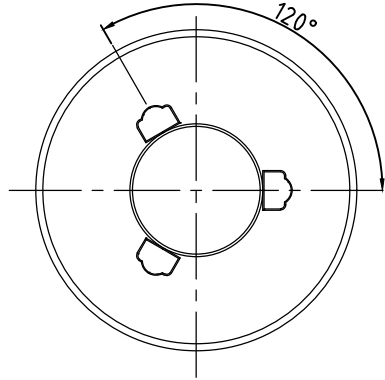


ON DWG
 01
 -



THIS DRAWING IS PROPRIETARY TO DSS
 NO PART OF THIS DRAWING MAY BE REPRODUCED
 WITHOUT THE PERMISSION OF DSS
 허가없이 복사할 수 없음

배 부 처

SPECIFICATION	
MODEL NAME	DF-S204
PRESSURE	MAX.5Kgf/cm ²
TEMPERATURE	일반용 MAX.120°C
DIMENSION	φ62xH111xφ24
WEIGHT	166g
SPECIFIC GRAVITY	0.58
MATERIAL	SUS304
REMARKS :	

TOLERANCES-UNLESS OTHERWISE SPECIFIED NO DATE REVISION 2014.01.27 500 1000 2000 ANGLE 25° 5° 1.0° 2.0°	DONG SUNG SENSORS CO.,LTD. TEL:10212025-8988-9 FAX:10212025-8987	DRWN BY J.H.HAN DATE 2017.04.06.	DESG BY K.B.HAN DATE 2017.04.07.	UNIT MM, INCH	SCALE N/S	3RD ANGLE 3각법	REF. NO 참고도면	DWG. NO 도면번호	
				APPR. -	TITLE DF-S204	REMARKS -	1/1		