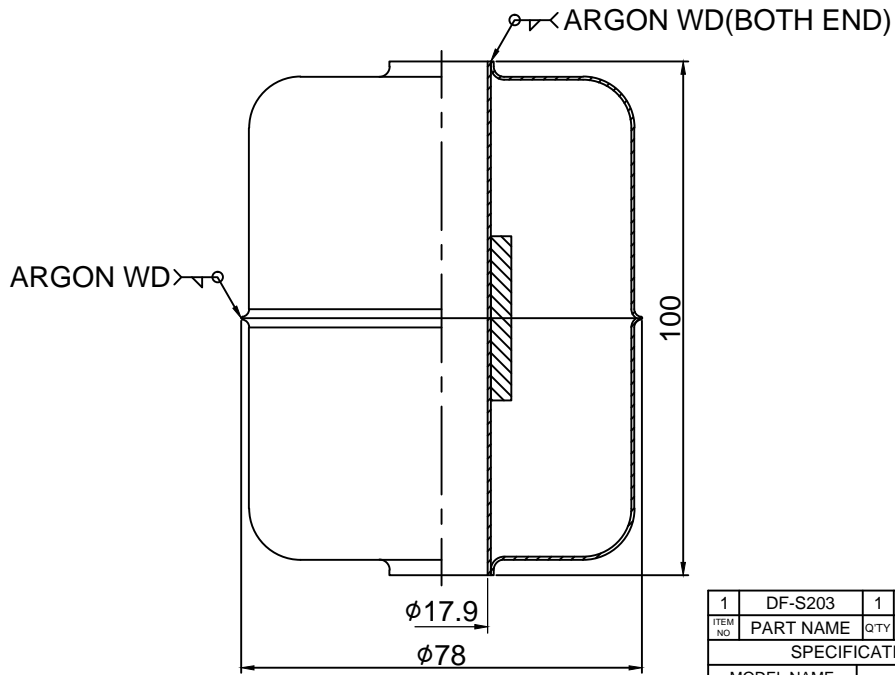
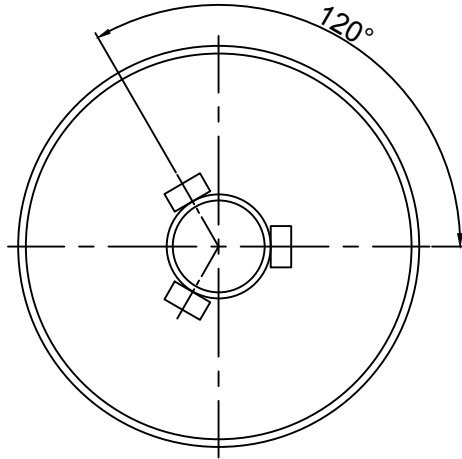


DWG NO. -

THIS DRAWING IS PROPRIETARY TO DSS
AND IS NOT TO BE REPRODUCED
WITHOUT THE PERMISSION OF DSS
원격정보의 복사를 할 수 없음



1	DF-S203	1	SUS304
ITEM NO	PART NAME	QTY	MATERIAL
SPECIFICATION			
MODEL NAME	DF-S203		
PRESSURE	MAX.5Kg/cm ²		
TEMPERATURE	MAX.120°C		
DIMENSION	φ78xφ17.9x100		
WEIGHT	167.5g		
SPECIFIC GRAVITY	0.37		
REMARKS :			

배 부 처

APPD BY K.P. HAN		TOLERANCES-UNLESS OTHERWISE SPECIFIED				DONG SUNG SENSORS CO.,LTD. TEL:(02)2025-8988-9 FAX:(02)2025-8987		UNIT 단 위	MM, INCH	APPAR.	-
NO	DATE	REVISION	WORK SIZE	TURN PRGNG DIST OF HOLE STR.	MOLD. DR. CTG. PRON. CSTG. DRAW.	SHMET WELD GRS CTG.	CSTG. FORG.	SCALE 척 도	N/S	TITLE 제 목	DF-S203
1	2014.01.27	INITIAL RELEASE	4	±0.1	±0.2	±0.3	±0.5	3RD ANGLE 3 각 법			
4			16	±0.2	±0.3	±0.5	±0.7	REF. NO 참고도면			
16			63	±0.3	±0.4	±0.7	±0.9	DWG. NO 도면번호		-	1/1
63			250	±0.4	±0.6	±1.2	±1.3				
250			500	±0.6	±0.8	±1.5	±1.8				
500			1000	±0.8	±1.0	±2.0	±2.5				
1000			2000	±1.2	±1.5	±2.5	±3.3				
			ANGLE	±2.5°	±5°	±1.0°	±2.0°				
								DATE	2017.08.21.	2017.08.21.	