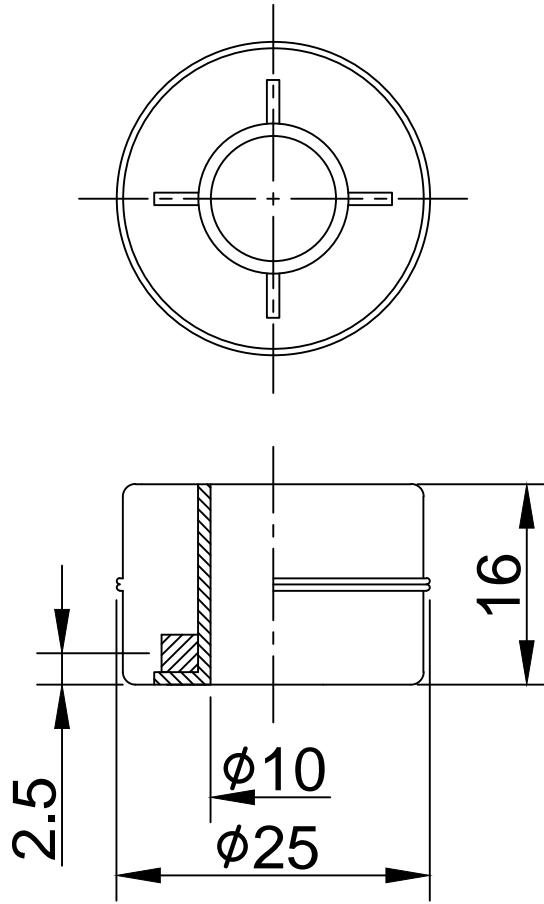


DWG NO.
 -

THIS DRAWING IS PROPRIETARY TO DSS
 NOT TO BE REPRODUCED
 WITHOUT THE PERMISSION OF DSS
 허가없이 복사할 수 없음



배부처

1	DF-PP1	1	P.P
ITEM NO	PART NAME	QTY	MATERIAL
SPECIFICATION			
MODEL NAME		DF-PP1	
PRESSURE		MAX.2Kgf/cm ²	
TEMPERATURE		MAX.80°C	
DIMENSION		φ25xφ10x16	
WEIGHT		4.2g	
SPECIFIC GRAVITY		0.7	
REMARKS :			

NO		DATE	REVISION	APPD BY	TOLERANCES-UNLESS OTHERWISE SPECIFIED				DONG SUNG SENSORS CO.,LTD. TEL:(02)2025-8988-9 FAX:(02)2025-8987				UNIT	MM, INCH	APPAR.	-	
NO		DATE	REVISION	APPD BY	WORK SIZE	TURN PUNCH DIST OF HOLE STR.	M.D.G DIE CSTG. FROM CSTG. DRAW.	SHEET WELD GAS CTG.	CSTG. FORD.	DRWN BY	DSND BY	CHKD BY	APPD BY	SCALE	N/S	TITLE	DF-PP1
NO		DATE	REVISION	APPD BY	2014.01.27	11	4 ±0.1	±0.2	±0.3	±0.5	16	±0.2	±0.3	±0.5	±0.7	3RD ANGLE	3 각 법
NO		DATE	REVISION	APPD BY	63	250 ±0.4	±0.4	±0.7	±0.9	250	900 ±0.6	±0.8	±1.2	±1.3	±1.5	REF. NO	DWG. NO
NO		DATE	REVISION	APPD BY	500	1000 ±0.8	±1.0	±1.5	±1.8	1000	2000 ±1.2	±1.5	±2.0	±2.5	±3.3	참고도면	도면번호
NO		DATE	REVISION	APPD BY	ANGLE	±.25°	±.5°	±1.0°	±2.0°	DATE	2017.04.06.	2017.04.07.				-	1/1