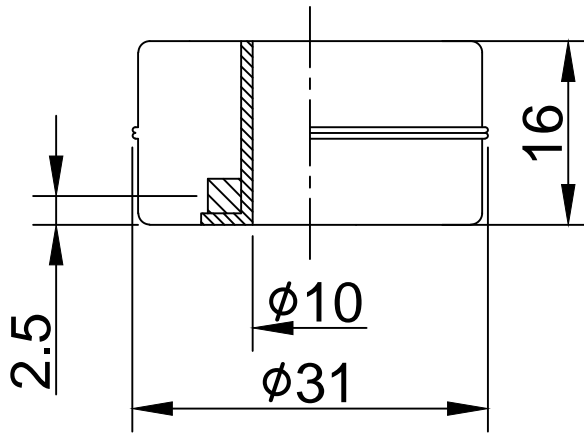
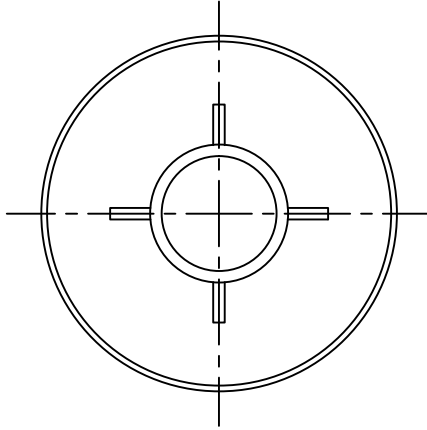


ON GWD

THIS DRAWING IS PROPRIETARY TO DSS
NO PART OF THIS DRAWING MAY BE REPRODUCED
WITHOUT THE PERMISSION OF DSS
허가없이 복사할 수 없음



1	DF-PP3	1	P.P
ITEM NO	PART NAME	QTY	MATERIAL
SPECIFICATION			
MODEL NAME		DF-PP3	
PRESSURE		MAX.2Kgf/cm ²	
TEMPERATURE		MAX.80°C	
DIMENSION		Ø31xØ10x16	
WEIGHT		4.8g	
SPECIFIC GRAVITY		0.5	
REMARKS :			

배부처	

APPD BY K.B.HAN		TOLERANCES-UNLESS OTHERWISE SPECIFIED		DONG SUNG SENSORS CO.,LTD. TEL:(02)2025-8988-9 FAX:(02)2025-8987		UNIT 단위 MM, INCH	APPAR. -
NO	DATE	2014.01.27	WORK SIZE	TURN PUNCH D1/2P HOLE STR.	MESG. DIE CSTG. PUNCH CSTG. DRAW.	SHMET WELD GAS C.TG.	CSTG. FORG.
	REVISION	INITIAL RELEASE	OVER	1 4 ±0.1 ±0.2 ±0.3 ±0.5	4 16 ±0.2 ±0.3 ±0.5 ±0.7	16 63 ±0.3 ±0.4 ±0.7 ±0.9	63 250 ±0.4 ±0.6 ±1.2 ±1.3
250	500	±0.6	±0.8	±1.0	±1.5	±1.8	±2.5
500	1000	±0.8	±1.0	±2.0	±2.5	±3.3	±4.0
1000	2000	±1.2	±1.5	±2.5	±3.3	±4.0	±5.0
ANGLE	25°	±5°	±1.0	±2.0°			
DRWN BY J.H.HAN		DSND BY K.B.HAN		CHKD BY K.B.HAN		APPD BY K.B.HAN	
DATE 2017.04.06.		DATE 2017.04.07.		SCALE 3/4		REF. NO 참고도면	
TITLE 제 목 DF-PP3		DWG. NO 도면번호 -		3RD ANGLE 3 각 법		1/1	