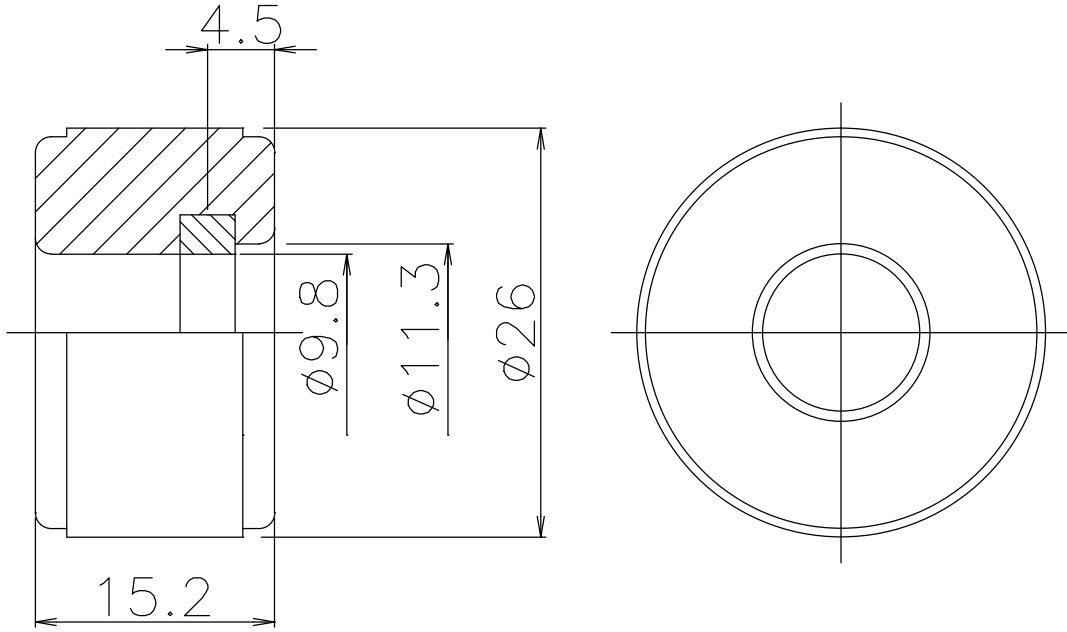


THIS DRAWING IS PROPRIETARY TO DSS
 REPRODUCE OR TRANSMIT THIS DRAWING MAY BE
 PROHIBITED WITHOUT THE PERMISSION OF DSS
 동성센서(주) 기밀정보 무단 배포

호 100-5
 DN DWG



| SPECIFICATION | |
|------------------|---------------------------|
| MODEL NAME | DF-A7 |
| PRESSURE | MAX.10Kgf/cm ² |
| TEMPERATURE | MAX.90°C |
| DIMENSION | φ26xH15.2xφ9.8 |
| WEIGHT | 4g |
| SPECIFIC GRAVITY | 0.58 |
| MATERIAL | NBR |
| REMARKS: | |

배 부 처

| NO | DATE | REVISION | APPD BY | K.P. HAN | TOLERANCES-UNLESS OTHERWISE SPECIFIED | | | | | | | | DONG SUNG SENSORS CO.,LTD. TEL<02>2025-8988~9 FAX<02>2025-8987 | UNIT 단위 | MM, INCH | APPAR. | TITLE 제목 | DWG. NO 도면번호 |
|-------|-------------|-----------------|---------|----------|---------------------------------------|-------------------------------|-------------------------------|-----------------------------|---------------|-------------|----------------|-----------------|--|------------|----------|--------|-------------|-----------------|
| | | | | | SIZE 크기 | TURN PITCH DIST STR. | H.M.G. DIE PTH DIAV. | SHMET WELD GAS CTE | ESTE FIBRE | SCALE 척도 | 3RD ANGLE 각 | REF. NO 참고도면 | | | | | | |
| 1 | 2014.01.27 | INITIAL RELEASE | | | ±0.1 | ±0.2 | ±0.3 | ±0.5 | | | | | | | | | | |
| 4 | | | | | ±0.2 | ±0.3 | ±0.5 | ±0.7 | | | | | | | | | | |
| 16 | | | | | ±0.3 | ±0.4 | ±0.7 | ±0.9 | | | | | | | | | | |
| 63 | | | | | ±0.4 | ±0.6 | ±1.2 | ±1.3 | | | | | | | | | | |
| 250 | | | | | ±0.6 | ±1.0 | ±1.5 | ±1.8 | | | | | | | | | | |
| 500 | | | | | ±0.8 | ±1.0 | ±2.0 | ±2.5 | | | | | | | | | | |
| 1000 | | | | | ±1.2 | ±1.5 | ±2.5 | ±3.3 | | | | | | | | | | |
| 2000 | | | | | ±1.5 | ±2.0 | ±3.0 | ±4.0 | | | | | | | | | | |
| ANGLE | | | | | ±25° | ±5° | ±10° | ±20° | | | | | | | | | | |
| DATE | 2017.04.06. | | | | | | | | | | | | | | | | | |
| DATE | 2017.04.07. | | | | | | | | | | | | | | | | | |