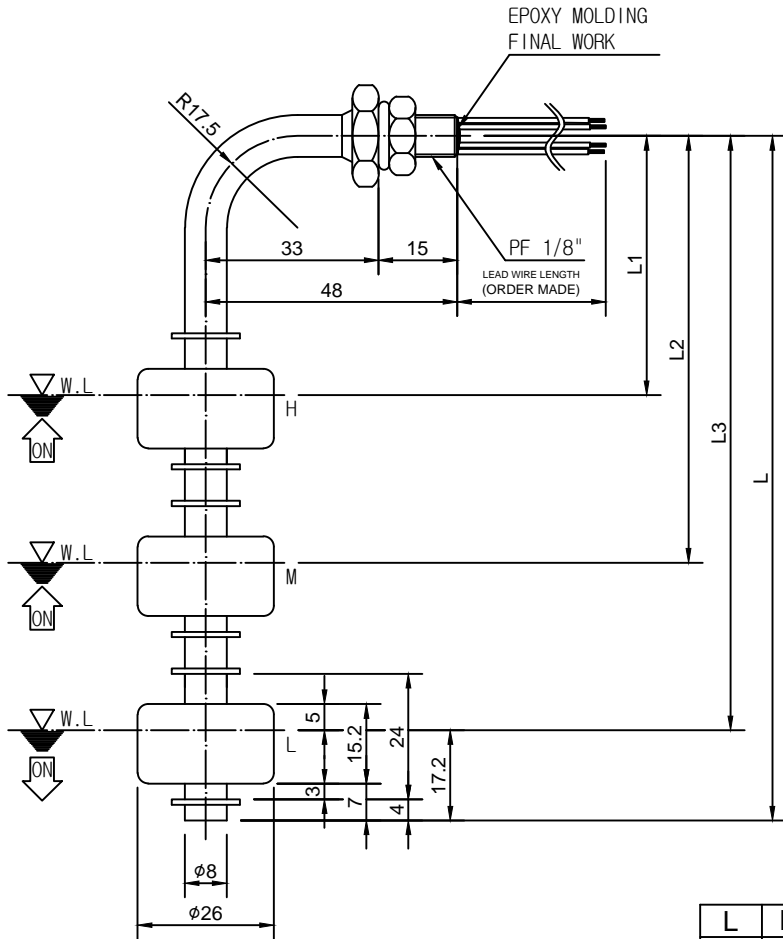


DWG NO. 141410

THIS DRAWING IS PROPRIETARY TO DSS
NO PART OF THIS DRAWING MAY BE REPRODUCED
WITHOUT THE PERMISSION OF DSS
02/2017.01 4페이지 중 4페이지



(UNIT:mm)

L	L1	L2	L3	-
-5	E-RING	6	SUS304	
-4	FLOAT	3	N.B.R	
-3	STEM	1	SUS304	
-2	NUT	1	SUS304	
-1	LEAD WIRES	4	P.V.C	
1	DFR-3L-3F	1	-	
ITEM NO	PART NAME	QTY	MATERIAL	
SPECIFICATION				
MODEL NAME		DFR-3L-3F		
PRESSURE		MAX.10Kgf/cm ²		
TEMPERATURE		MAX.90°C		
APPLICATIONS		WATER, OIL		
SWITCHING CURRENT		AC220V,0.2A,50VA		
MOUNTING METHOD		SIDE		
MOUNTING SIZE		PF1/8"		
REMARKS :				
(L1,L2,L3, L=L3+17.2) ORDER MADE				

배부처

<p>APPD BY K.B. HAN</p> <p>REVISION INITIAL RELEASE</p> <p>DATE 2014.01.27</p>		<p>TOLERANCES-UNLESS OTHERWISE SPECIFIED</p> <table border="1"> <tr> <th>WORK SIZE</th> <th>TURN PINGG DIST OF HOLE STR.</th> <th>MLDG. DIE CSTG. PRIOR. CSTG. DRAW.</th> <th>SHMET WELD GAS CTG.</th> <th>CSTG. FORCE.</th> </tr> <tr> <td>1 4</td> <td>±0.1</td> <td>±0.2</td> <td>±0.3</td> <td>±0.5</td> </tr> <tr> <td>4 16</td> <td>±0.2</td> <td>±0.3</td> <td>±0.5</td> <td>±0.7</td> </tr> <tr> <td>16 63</td> <td>±0.3</td> <td>±0.4</td> <td>±0.7</td> <td>±0.9</td> </tr> <tr> <td>63 250</td> <td>±0.4</td> <td>±0.6</td> <td>±1.2</td> <td>±1.3</td> </tr> <tr> <td>250 500</td> <td>±0.6</td> <td>±0.8</td> <td>±1.5</td> <td>±1.8</td> </tr> <tr> <td>500 1000</td> <td>±0.8</td> <td>±1.0</td> <td>±2.0</td> <td>±2.5</td> </tr> <tr> <td>1000 2000</td> <td>±1.2</td> <td>±1.5</td> <td>±2.5</td> <td>±3.3</td> </tr> <tr> <td>ANGLE</td> <td>±25°</td> <td>±5°</td> <td>±1.0°</td> <td>±2.0°</td> </tr> </table>		WORK SIZE	TURN PINGG DIST OF HOLE STR.	MLDG. DIE CSTG. PRIOR. CSTG. DRAW.	SHMET WELD GAS CTG.	CSTG. FORCE.	1 4	±0.1	±0.2	±0.3	±0.5	4 16	±0.2	±0.3	±0.5	±0.7	16 63	±0.3	±0.4	±0.7	±0.9	63 250	±0.4	±0.6	±1.2	±1.3	250 500	±0.6	±0.8	±1.5	±1.8	500 1000	±0.8	±1.0	±2.0	±2.5	1000 2000	±1.2	±1.5	±2.5	±3.3	ANGLE	±25°	±5°	±1.0°	±2.0°	<p>DONG SUNG SENSORS CO.,LTD. TEL:(02)2025-8988-9 FAX:(02)2025-8987</p> <p>DRWN BY J.H.HAN DSND BY K.B.HAN CHKD BY APPD BY</p> <p>DATE 2017.04.27. 2017.04.27.</p>		<p>UNIT MM, INCH</p> <p>SCALE 3RD ANGLE 3 각 법</p> <p>REF. NO 참고도면</p>	<p>APPAR.</p> <p>TITLE 제목</p> <p>DWG. NO 도면번호</p>	<p>DFR-3L-3F</p> <p>-</p> <p>1/1</p>
WORK SIZE	TURN PINGG DIST OF HOLE STR.	MLDG. DIE CSTG. PRIOR. CSTG. DRAW.	SHMET WELD GAS CTG.	CSTG. FORCE.																																																	
1 4	±0.1	±0.2	±0.3	±0.5																																																	
4 16	±0.2	±0.3	±0.5	±0.7																																																	
16 63	±0.3	±0.4	±0.7	±0.9																																																	
63 250	±0.4	±0.6	±1.2	±1.3																																																	
250 500	±0.6	±0.8	±1.5	±1.8																																																	
500 1000	±0.8	±1.0	±2.0	±2.5																																																	
1000 2000	±1.2	±1.5	±2.5	±3.3																																																	
ANGLE	±25°	±5°	±1.0°	±2.0°																																																	