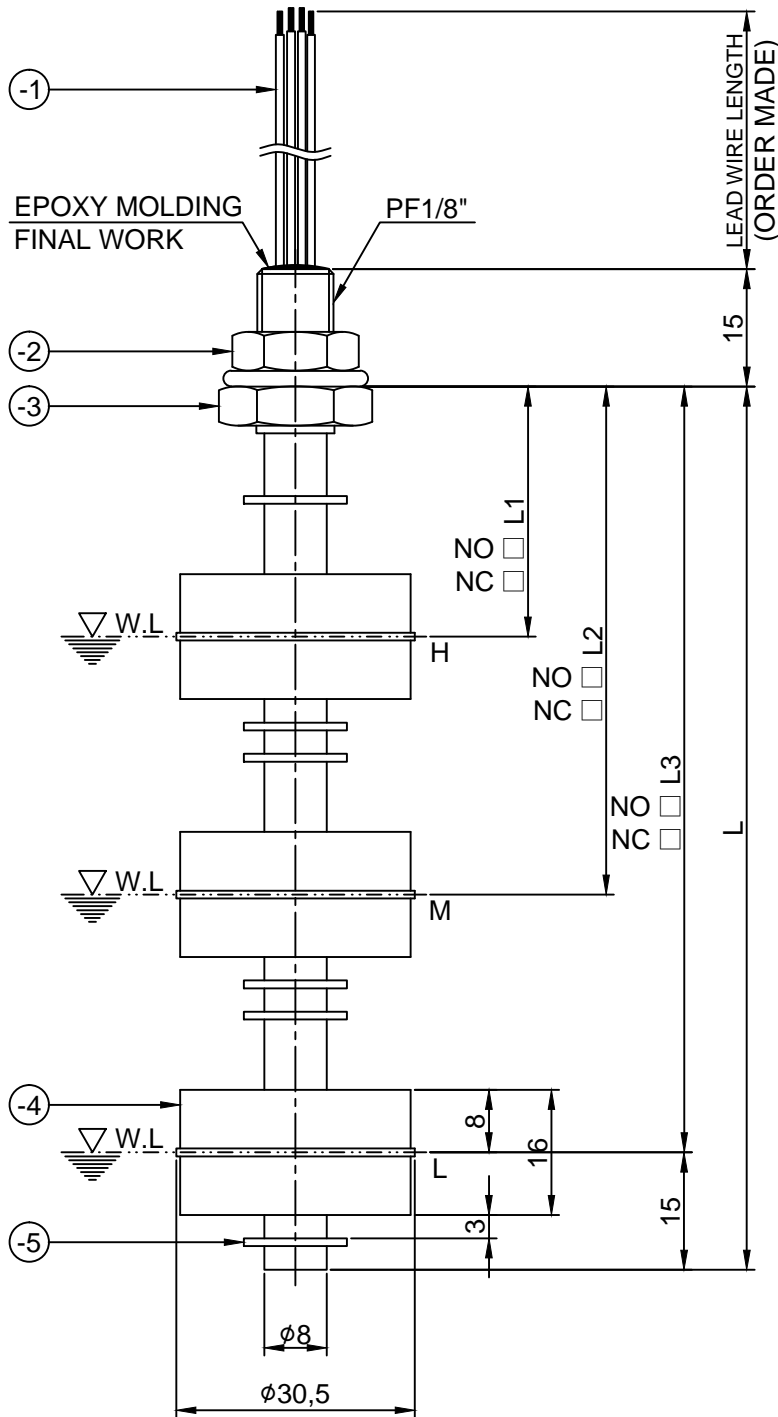


DWG NO
ON DWG

THIS DRAWING IS PROPRIETARY TO DSS
NO PART OF THIS DRAWING MAY BE REPRODUCED
8271801 부사표시서 4888



L	L1	L2	L3	-
-5	E-RING	6	SUS304	
-4	FLOAT	3	P.P	
-3	STEM	1	SUS304	
-2	HEX.NUT	1	SUS304	
-1	LEAD WIRES	4	P.V.C	
1	DFR-2C-3F	1	-	
ITEM NO	PART NAME	QTY	MATERIAL	
SPECIFICATION				
MODEL NAME		DFR-2C-3F		
PRESSURE		MAX.2Kgf/cm ²		
TEMPERATURE		MAX.90°C		
APPLICATIONS		WATER, OIL		
SWITCHING CURRENT		AC220V,0.2A,50VA		
MOUNTING METHOD		TOP & BOTTOM		
MOUNTING SIZE		PF1/8"		
REMARKS :				
ORDER MADE(L1, L2, L3, L=L3+15)				

배부처

NO	DATE	REVISION	APPD BY	K.B.HAN
	2014.01.27	INITIAL RELEASE		
1		4		
4		16		
16		63		
63		250		
250		500		
500		1000		
1000		2000		
		ANGLE		

TOLERANCES-UNLESS OTHERWISE SPECIFIED

WORK SIZE	TURN FINISHG DIST OF HOLE STR.	MILDG. DIE CSTG FROM CSTG. DRAW.	SH MET WELD GAS CTG.	CSTG. FORG.
± 0.1	± 0.2	± 0.3	± 0.5	
± 0.2	± 0.3	± 0.5	± 0.7	
± 0.3	± 0.4	± 0.7	± 0.9	
± 0.4	± 0.8	± 1.2	± 1.3	
± 0.6	± 1.0	± 1.5	± 1.8	
± 0.8	± 1.0	± 2.0	± 2.5	
± 1.2	± 1.5	± 2.5	± 3.3	
± 2.5	± 1.0	± 2.0	± 2.0	

DONG SUNG SENSORS CO.,LTD.
TEL:(02)2025-8988-9 FAX:(02)2025-8987

표준
인시
본 권
DATE 2017.04.27. 2017.04.27.

DRWN BY: J.H.HAN
DSND BY: 설 계
CHKD BY: 감 료 투
APPD BY: 승 승 인

3RD ANGLE 3 각 법

UNIT	MM, INCH
SCALE	N/S
REF. NO	참고도면
DWG. NO	도면번호
APPAR.	-
TITLE	제 목
DFR-2C-3F	
DWG. NO	-
1/1	