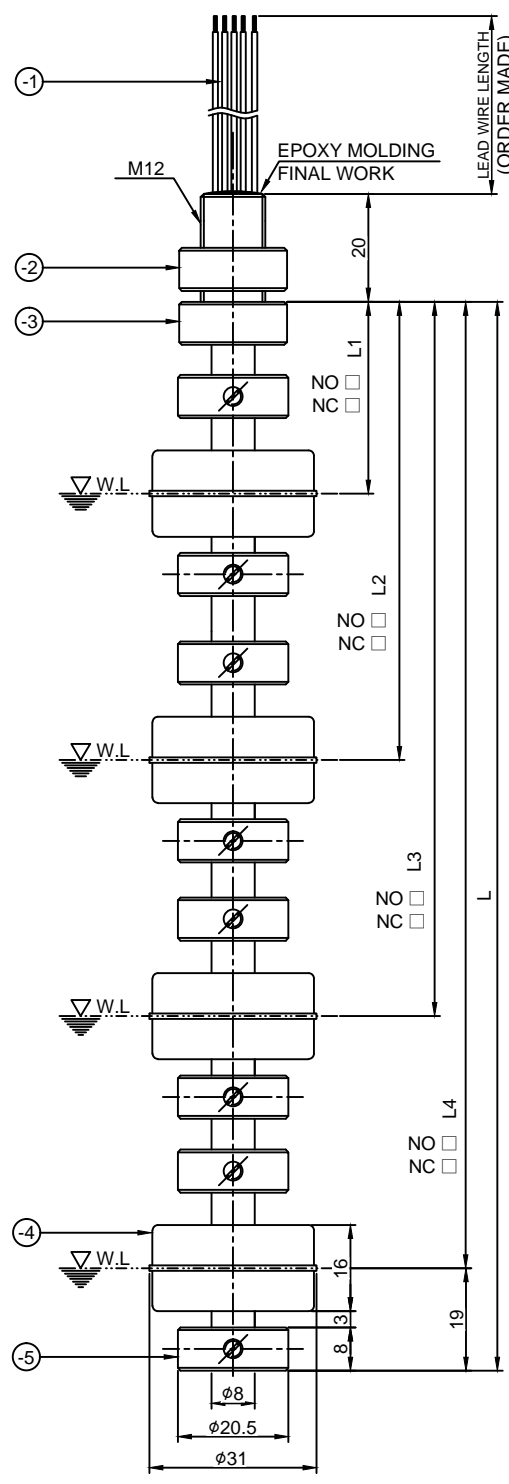


ON DWG



THIS DRAWING IS PROPRIETARY TO DSS  
AND SHALL NOT BE REPRODUCED  
WITHOUT THE PERMISSION OF DSS  
DONG SUNG SENSORS CO., LTD.

배부처									
-----	--	--	--	--	--	--	--	--	--

(UNIT:mm)

L	L1	L2	L3	L4
-5	STOPPER	8		P.P
-4	FLOAT	4		P.P
-3	STEM	1		P.V.C
-2	NUT	1		P.V.C
-1	LEAD WIRES	5		P.V.C
1	DFR-13P-4F	1		-

TITLE NO.	PART NAME	QTY	MATERIAL
SPECIFICATION			
MODEL NAME	DFR-13P-4F		
PRESSURE	MAX.2Kgf/cm <sup>2</sup>		
TEMPERATURE	MAX.80°C		
APPLICATIONS	WATER, MEDICAL LIQUID		
SWITCHING CURRENT	AC220V,0.2A,50VA		
MOUNTING METHOD	TOP & BOTTOM		
MOUNTING SIZE	M12		
REMARKS:	ORDER MADE(L1, L2, L3 L4, L=L4+19)		

NO. DATE		REVISON		DATE		TOLERANCES UNLESS OTHERWISE SPECIFIED		DONG SUNG SENSORS CO., LTD.		UNIT		APPAR.		TITLE	
2014.01.27						CORR. SIZE		TEL.(02)2025-8988-9 FAX.(02)2025-8987		MM, 1/10		-		DFR-13P-4F	
2017.04.18.		2017.04.19.		2017.04.19.		±0.1 ±0.2 ±0.3 ±0.4 ±0.5 ±0.6 ±0.8 ±1.0 ±1.5 ±2.0 ±3.0 ±4.0		DRW. BY J.H.HAN		SCALE 3/4		REF. NO		DWG. NO	
2017.04.18.		2017.04.19.		2017.04.19.		±0.1 ±0.2 ±0.3 ±0.4 ±0.5 ±0.6 ±0.8 ±1.0 ±1.5 ±2.0 ±3.0 ±4.0		CHK. BY K.B.HAN		3RD ANGLE		참고도면		1/1	