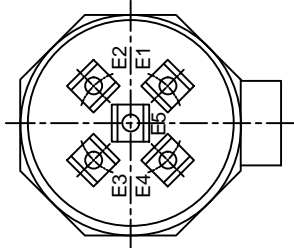
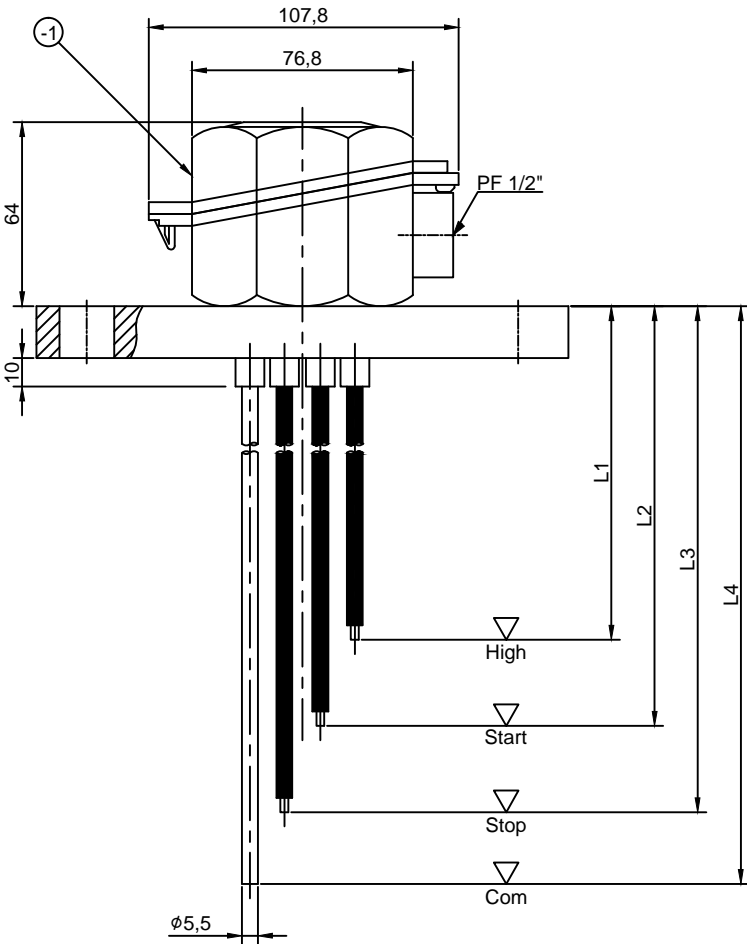


ON GMD
 2017.06.28



E1 : High Alarm
 E2 : Pump Start
 E3 : Pump Stop
 E5 : Common

THIS DRAWING IS PROPRIETARY TO DSS
 WITHOUT THE PERMISSION OF DSS
 허가없이 복사할 수 없음

배부처	

(UNIT:mm)

L1	L2	L3	L4	-
-3	FLANGE	1	P.V.C	
-2	ELECTRODE	4	P.E + SUS304	
-1	HEAD	1	ABS	
1	DES-4F	1SET	-	
ITEM NO.	PART NAME	QTY	MATERIAL	
SPECIFICATION				
MODEL NAME		DES-4F		
PRESSURE		A.T.M		
TEMPERATURE		-10~+60°C		
APPLICATIONS		WATER		
WIRE CONNECTION		4-WIRE		
MOUNTING METHOD		TOP		
MOUNTING SIZE		ORDER MADE		
LOOP IMPEDANCE		500Ω(15V DC)		
MEASURING RANGE		MAX. 5M		
REMARKS :				

TOLERANCES-UNLESS OTHERWISE SPECIFIED WORK SIZE OVER TO INCL. TURN FINCHG DIST.OF HOLE STR. MLDG. DIE CSTG. FROM CSTG. DRAW. SMIET WELD GAS CTG. CSTG. FORSL.		DONG SUNG SENSORS CO.,LTD. TEL:(02)2025-8988-9 FAX:(02)2025-8987		UNIT 단위	MM, INCH	APPAR.	-
NO	DATE	DRWN BY	DSND BY	CHKD BY	APPD BY	TITLE	DES-4F
1	2014.01.27	J.H.HAN	K.B.HAN			제 목	
2	2017.06.27					참고도면	
3	2017.06.28					도면번호	1/1
4	2017.06.28						