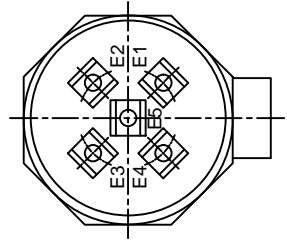
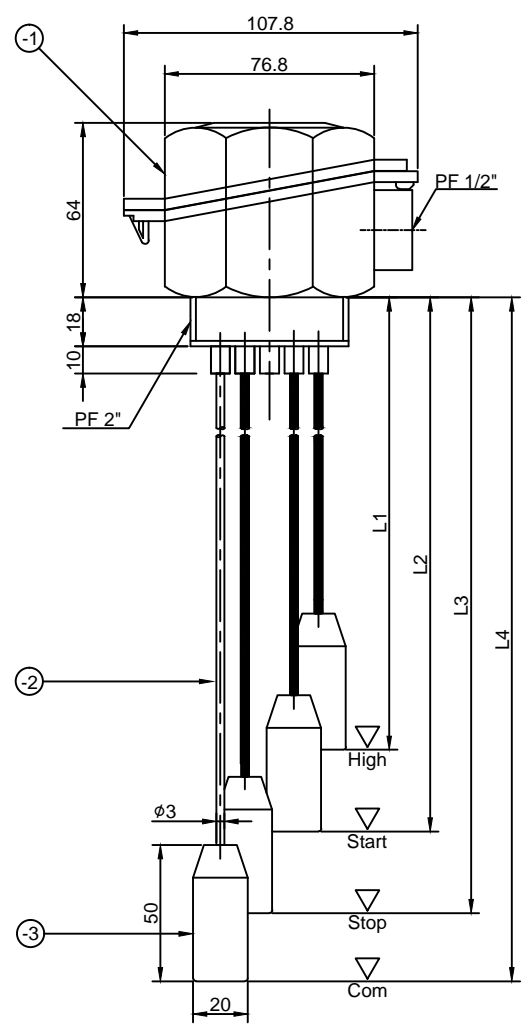


ON 57MM

THIS DRAWING IS PROPRIETARY TO DSS  
NO PART OF THIS DRAWING MAY BE REPRODUCED  
WITHOUT THE PERMISSION OF DSS  
이그리엔티 센서들 유. 한림



E1 : High Alarm  
E2 : Pump Start  
E3 : Pump Stop  
E5 : Common

(UNIT:mm)

	L1	L2	L3	L4	-
-3	WEIGHT		4	SUS304	
-2	WRE ELECTRODE		4	SUS304	
-1	HEAD		1	ABS	
1	DES-4W		1SET	-	
ITEM NO	PART NAME	QTY	MATERIAL		
SPECIFICATION					
MODEL NAME		DES-4W			
PRESSURE		A.T.M			
TEMPERATURE		-10 ~ 60°C			
APPLICATIONS		WATER			
WIRE CONNECTION		4-WIRE			
MOUNTING METHOD		TOP			
MOUNTING SIZE		PF 2"			
LOOP IMPEDANCE		500Ω(15V DC)			
MEASURING RANGE		ORDER MADE			
REMARKS :					

배 부 처

NO	DATE	REVISION	INITIAL RELEASE	APPD BY	K.B. HAN	DRWN BY	DSND BY	CHKD BY	APPD BY	UNIT	MM, INCH	APPAR.	TITLE	REF. NO	DWG. NO	1/1
1	2014.01.27	1				J.H.HAN		K.B.HAN		MM, INCH		DES-4W				
<p>DATE: 2017.07.03, 2017.07.04</p> <p>DRWN BY: J.H.HAN, DSND BY: K.B.HAN, CHKD BY: K.B.HAN, APPD BY: K.B.HAN</p> <p>3RD ANGLE 3 각 법</p> <p>참고도면 도면번호</p>																

TOLERANCES-UNLESS OTHERWISE SPECIFIED

WORK SIZE	TURN FINISH DIST OF HOLE STR	M.D.C. DR. CSTO. PRCN. CSTO. DRAW.	SHMET WELD GAS CTR.	CSTO. FORG.
1 4	±0.1	±0.2	±0.3	±0.5
4 16	±0.2	±0.3	±0.5	±0.7
16 63	±0.3	±0.4	±0.7	±0.9
63 250	±0.4	±0.5	±1.2	±1.3
250 500	±0.6	±0.8	±1.5	±1.8
500 1000	±0.8	±1.0	±2.0	±2.5
1000 2000	±1.2	±1.5	±2.5	±3.3
ANGLE	±2.5°	±5°	±1.0°	±2.0°