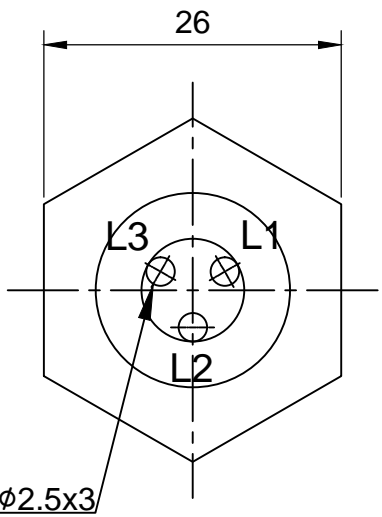
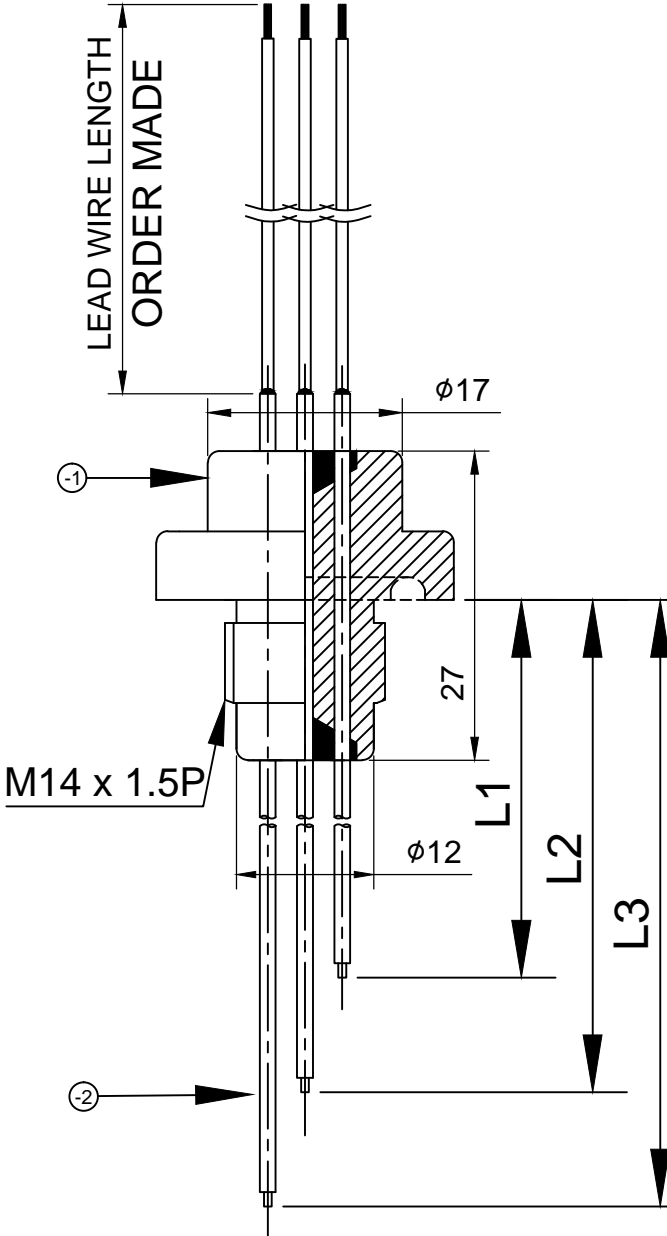


DWG NO. -

THIS DRAWING IS PROPRIETARY TO DES. IT SHALL NOT BE REPRODUCED WITHOUT THE PERMISSION OF DES.
 허가없이 복사할 수 없습니다.



L1 : mm
 L2 : mm
 L3 : mm

배부처	

(UNIT:mm)

L1	L2	L3		
-2	ELECTRODE	3	PTFE+SUS304	
-1	HEAD	1	MC	
1	DES-3	1SET	-	
ITEM NO.	PART NAME	QTY	MATERIAL	
SPECIFICATION				
MODEL NAME		DES-3		
PRESSURE		A.T.M		
TEMPERATURE		-10~+60°C		
APPLICATIONS		WATER		
WIRE CONNECTION		3-WIRE		
MOUNTING METHOD		TOP		
MOUNTING SIZE		M14		
LOOP IMPEDANCE		500Ω(15V DC)		
MEASURING RANGE		ORDER MADE		
REMARKS :				

APPR BY K.P. HAN	TOLERANCES-UNLESS OTHERWISE SPECIFIED	DONG SUNG SENSORS CO.,LTD. TEL:(02)2025-8988-9 FAX:(02)2025-8987		UNIT 단위	MM, INCH	APPAR.	-
REVISION	WORK SIZE	DRWN BY J.H.HAN	DSND BY K.B.HAN	SCALE	N/S	TITLE	DES - 3
INITIAL RELEASE 2014. 01.27	TURN PITCH DIST OF HOLE STR.	CHKD BY K.B.HAN	APPD BY K.B.HAN	3RD ANGLE	3 각 법	DWG. NO	-
NO DATE	250 500 1000 2000	DATE	2017.06.27. 2017.06.28.	REF. NO	참고도면	도면번호	1/1
	ANGLE						