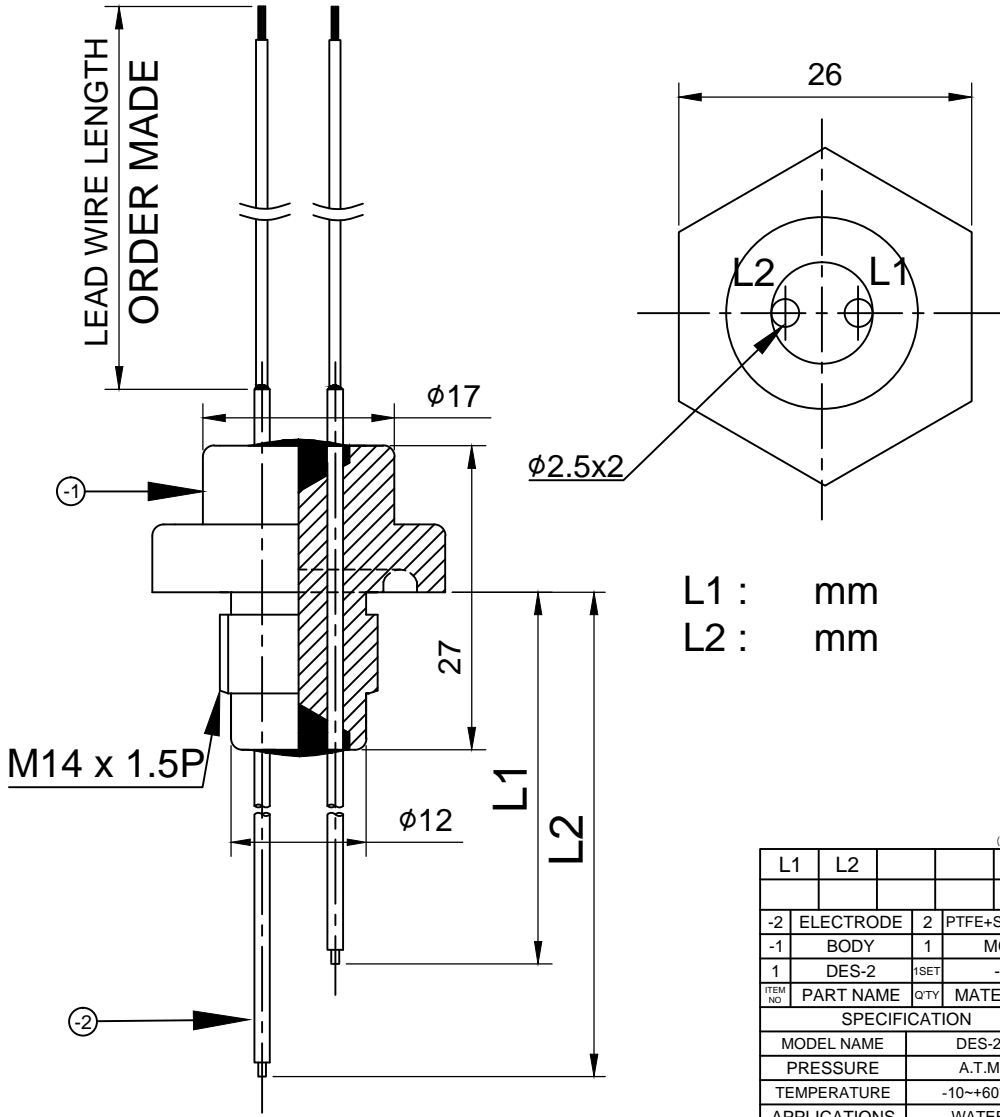


THIS DRAWING IS PROPRIETARY TO DSS.  
NO PART OF THIS DRAWING MAY BE REPRODUCED  
WITHOUT THE PERMISSION OF DSS.  
이그림은 DSS의 재산입니다. 허가없이 복사할 수 없습니다.



L1 : mm  
L2 : mm

(UNIT:mm)

L1	L2		
-2	ELECTRODE	2	PTFE+SUS316
-1	BODY	1	MC
1	DES-2	1SET	-
ITEM NO.	PART NAME	QTY	MATERIAL
SPECIFICATION			
MODEL NAME		DES-2	
PRESSURE		A.T.M	
TEMPERATURE		-10~+60°C	
APPLICATIONS		WATER	
WIRE CONNECTION		2-WIRE	
MOUNTING METHOD		TOP	
MOUNTING SIZE		M14	
LOOP IMPEDANCE		500Ω(15V DC)	
MEASURING RANGE		ORDER MADE	
REMARKS :			

배부처

NO	DATE	REVISION	APPR BY	DESIGNED BY	DATE	DRW BY	DATE	CHKD BY	DATE	APPD BY	DATE	UNIT	SCALE	3RD ANGLE	REF. NO	TITLE	DWG. NO	1/1
	2014.01.27		K.B.HAN	J.H.HAN	2017.06.27.	K.B.HAN	2017.06.28.					MM, INCH	N/S	3각법	참고도면	DES - 2	-	
TOLERANCES-UNLESS OTHERWISE SPECIFIED WORK SIZE OVER TO HOLE STR. TURN PUNCH DIE CASTING MLDG. FROM. CASTING DRAW. SHIMMET WELD GAS CTGL. CSRG. FORG.												DONG SUNG SENSORS CO.,LTD. TEL:(02)2025-8988-9 FAX:(02)2025-8987		APPAR. - TITLE 제목 DES - 2				
INITIAL RELEASE SIZE 1 1 ±0.1 ±0.2 ±0.3 ±0.5 4 16 ±0.2 ±0.3 ±0.5 ±0.7 16 63 ±0.3 ±0.4 ±0.7 ±0.9 63 250 ±0.4 ±0.6 ±1.2 ±1.3 250 500 ±0.6 ±0.8 ±1.5 ±1.8 500 1000 ±0.8 ±1.0 ±2.0 ±2.5 1000 2000 ±1.2 ±1.5 ±2.5 ±3.3 ANGLE 25° ±0.2 5° ±1.0 2.0° ±2.0°												DRW BY J.H.HAN DSND BY K.B.HAN CHKD BY APPD BY		APPAR. - TITLE 제목 DES - 2				
DATE 2017.06.27. 2017.06.28.												REF. NO 참고도면		DWG. NO 도면번호 - 1/1				