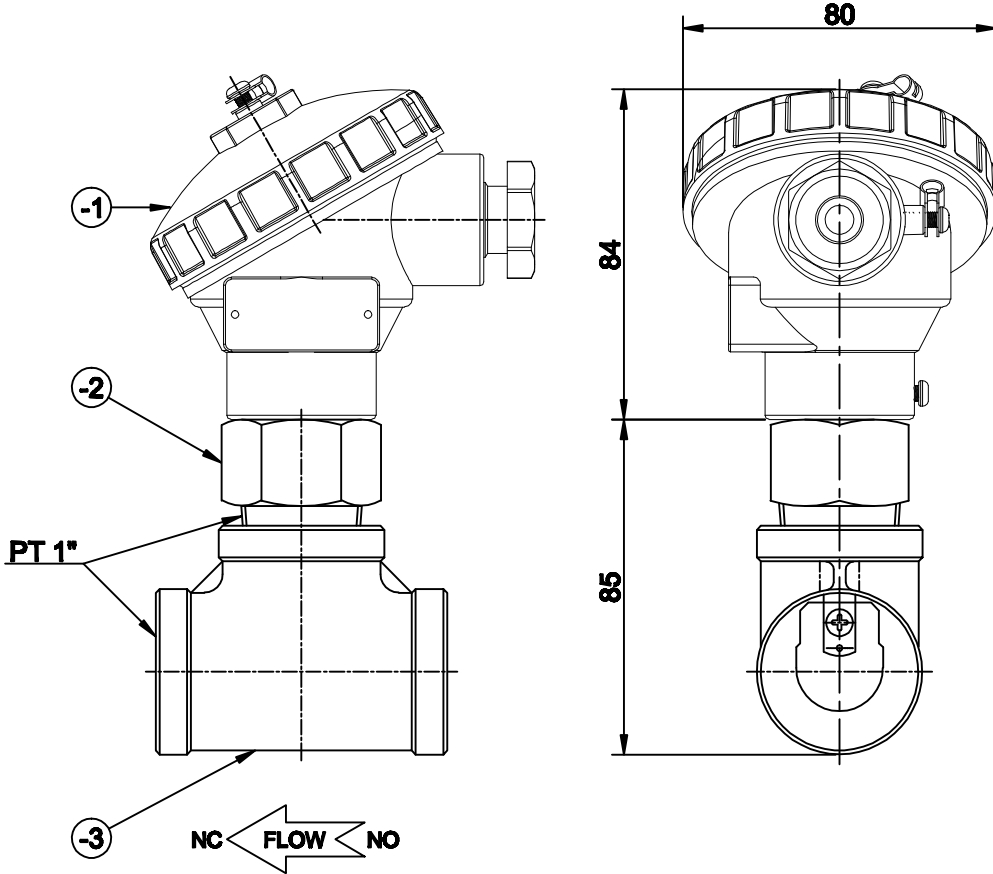


DWG NO  
-

THIS DRAWING IS PROPRIETARY TO DMS  
NO PART OF THIS DRAWING MAY BE REPRODUCED  
WITHOUT THE PERMISSION OF DMS  
수익권 보유 + 비



-3	TEE	1	SUS304
-2	BODY	1	SUS304
-1	HEAD	1	ADC12
1	DFS-2-1SRHT	1SET	-
ITEM NO	PART NAME	QTY	MATERIAL
SPECIFICATION			
MODEL NAME	DFS-2-1SRHT		
PRESSURE	MAX.10Kg/cm <sup>2</sup>		
TEMPERATURE	MAX.100°C		
SWITCHING CURRENT	AC220V, 1A, 50VA		
MOUNTING METHOD	HORIZONTAL, VERTICAL		
MOUNTING SIZE	PT1"		
FLOW RATE	25~15#/Min		
APPLICATIONS	WATER, OIL		
REMARKS :			

배부처

NO	DATE	REVISION	INITIAL RELEASE	K.L. HAN	APPR BY	TOLERANCES-UNLESS OTHERWISE SPECIFIED				DONG SUNG SENSORS CO.,LTD. TEL:(02)2025-9999-9 FAX:(02)2025-9997				UNIT	MM, INCH	APPAR.	-
						WORK	TURN	PLUG	PLUG	PLUG	PLUG	PLUG	PLUG	PLUG	PLUG	PLUG	PLUG
						±0.1	±0.2	±0.3	±0.5	±0.5	±0.5	±0.5	±0.5	±0.5	±0.5	±0.5	±0.5
						±0.2	±0.3	±0.4	±0.5	±0.5	±0.5	±0.5	±0.5	±0.5	±0.5	±0.5	±0.5
						±0.4	±0.5	±0.6	±0.7	±0.8	±0.8	±0.8	±0.8	±0.8	±0.8	±0.8	±0.8
						±0.6	±0.7	±0.8	±1.0	±1.0	±1.0	±1.0	±1.0	±1.0	±1.0	±1.0	±1.0
						±0.8	±1.0	±1.2	±1.5	±1.5	±1.5	±1.5	±1.5	±1.5	±1.5	±1.5	±1.5
						±1.0	±1.2	±1.5	±2.0	±2.0	±2.0	±2.0	±2.0	±2.0	±2.0	±2.0	±2.0
						±1.2	±1.5	±2.0	±2.5	±2.5	±2.5	±2.5	±2.5	±2.5	±2.5	±2.5	±2.5
						±1.5	±2.0	±2.5	±3.0	±3.0	±3.0	±3.0	±3.0	±3.0	±3.0	±3.0	±3.0
						±2.0	±2.5	±3.0	±4.0	±4.0	±4.0	±4.0	±4.0	±4.0	±4.0	±4.0	±4.0
						±2.5	±3.0	±4.0	±5.0	±5.0	±5.0	±5.0	±5.0	±5.0	±5.0	±5.0	±5.0
						±3.0	±4.0	±5.0	±6.0	±6.0	±6.0	±6.0	±6.0	±6.0	±6.0	±6.0	±6.0
						±4.0	±5.0	±6.0	±8.0	±8.0	±8.0	±8.0	±8.0	±8.0	±8.0	±8.0	±8.0
						±5.0	±6.0	±8.0	±10.0	±10.0	±10.0	±10.0	±10.0	±10.0	±10.0	±10.0	±10.0
						±6.0	±8.0	±10.0	±15.0	±15.0	±15.0	±15.0	±15.0	±15.0	±15.0	±15.0	±15.0
						±8.0	±10.0	±15.0	±20.0	±20.0	±20.0	±20.0	±20.0	±20.0	±20.0	±20.0	±20.0
						±10.0	±15.0	±20.0	±30.0	±30.0	±30.0	±30.0	±30.0	±30.0	±30.0	±30.0	±30.0
						±15.0	±20.0	±30.0	±40.0	±40.0	±40.0	±40.0	±40.0	±40.0	±40.0	±40.0	±40.0
						±20.0	±30.0	±40.0	±50.0	±50.0	±50.0	±50.0	±50.0	±50.0	±50.0	±50.0	±50.0
						±30.0	±40.0	±50.0	±60.0	±60.0	±60.0	±60.0	±60.0	±60.0	±60.0	±60.0	±60.0
						±40.0	±50.0	±60.0	±80.0	±80.0	±80.0	±80.0	±80.0	±80.0	±80.0	±80.0	±80.0
						±50.0	±60.0	±80.0	±100.0	±100.0	±100.0	±100.0	±100.0	±100.0	±100.0	±100.0	±100.0
						±60.0	±80.0	±100.0	±120.0	±120.0	±120.0	±120.0	±120.0	±120.0	±120.0	±120.0	±120.0
						±80.0	±100.0	±120.0	±150.0	±150.0	±150.0	±150.0	±150.0	±150.0	±150.0	±150.0	±150.0
						±100.0	±120.0	±150.0	±200.0	±200.0	±200.0	±200.0	±200.0	±200.0	±200.0	±200.0	±200.0
						±120.0	±150.0	±200.0	±250.0	±250.0	±250.0	±250.0	±250.0	±250.0	±250.0	±250.0	±250.0
						±150.0	±200.0	±250.0	±300.0	±300.0	±300.0	±300.0	±300.0	±300.0	±300.0	±300.0	±300.0
						±200.0	±250.0	±300.0	±400.0	±400.0	±400.0	±400.0	±400.0	±400.0	±400.0	±400.0	±400.0
						±250.0	±300.0	±400.0	±500.0	±500.0	±500.0	±500.0	±500.0	±500.0	±500.0	±500.0	±500.0
						±300.0	±400.0	±500.0	±600.0	±600.0	±600.0	±600.0	±600.0	±600.0	±600.0	±600.0	±600.0
						±400.0	±500.0	±600.0	±800.0	±800.0	±800.0	±800.0	±800.0	±800.0	±800.0	±800.0	±800.0
						±500.0	±600.0	±800.0	±1000.0	±1000.0	±1000.0	±1000.0	±1000.0	±1000.0	±1000.0	±1000.0	±1000.0
						±600.0	±800.0	±1000.0	±1200.0	±1200.0	±1200.0	±1200.0	±1200.0	±1200.0	±1200.0	±1200.0	±1200.0
						±800.0	±1000.0	±1200.0	±1500.0	±1500.0	±1500.0	±1500.0	±1500.0	±1500.0	±1500.0	±1500.0	±1500.0
						±1000.0	±1200.0	±1500.0	±2000.0	±2000.0	±2000.0	±2000.0	±2000.0	±2000.0	±2000.0	±2000.0	±2000.0
						±1200.0	±1500.0	±2000.0	±2500.0	±2500.0	±2500.0	±2500.0	±2500.0	±2500.0	±2500.0	±2500.0	±2500.0
						±1500.0	±2000.0	±2500.0	±3000.0	±3000.0	±3000.0	±3000.0	±3000.0	±3000.0	±3000.0	±3000.0	±3000.0
						±2000.0	±2500.0	±3000.0	±4000.0	±4000.0	±4000.0	±4000.0	±4000.0	±4000.0	±4000.0	±4000.0	±4000.0
						±2500.0	±3000.0	±4000.0	±5000.0	±5000.0	±5000.0	±5000.0	±5000.0	±5000.0	±5000.0	±5000.0	±5000.0
						±3000.0	±4000.0	±5000.0	±6000.0	±6000.0	±6000.0	±6000.0	±6000.0	±6000.0	±6000.0	±6000.0	±6000.0
						±4000.0	±5000.0	±6000.0	±8000.0	±8000.0	±8000.0	±8000.0	±8000.0	±8000.0	±8000.0	±8000.0	±8000.0
						±5000.0	±6000.0	±8000.0	±10000.0	±10000.0	±10000.0	±10000.0	±10000.0	±10000.0	±10000.0	±10000.0	±10000.0
						±6000.0	±8000.0	±10000.0	±12000.0	±12000.0	±12000.0	±12000.0	±12000.0	±12000.0	±12000.0	±12000.0	±12000.0
						±8000.0	±10000.0	±12000.0	±15000.0	±15000.0	±15000.0	±15000.0	±15000.0	±15000.0	±15000.0	±15000.0	±15000.0
						±10000.0	±12000.0	±15000.0	±20000.0	±20000.0	±20000.0	±20000.0	±20000.0	±20000.0	±20000.0	±20000.0	±20000.0
						±12000.0	±15000.0	±20000.0	±25000.0	±25000.0	±25000.0	±25000.0	±25000.0	±25000.0	±25000.0	±25000.0	±25000.0
						±15000.0	±20000.0	±25000.0	±30000.0	±30000.0	±30000.0	±30000.0	±30000.0	±30000.0	±30000.0	±30000.0	±30000.0
						±20000.0	±25000.0	±30000.0	±40000.0	±40000.0	±40000.0	±40000.0	±40000.0	±40000.0	±40000.0	±40000.0	±40000.0
						±25000.0	±30000.0	±40000.0	±50000.0	±50000.0	±50000.0	±50000.0	±50000.0	±50000.0	±50000.0	±50000.0	±50000.0
						±30000.0	±40000.0	±50000.0	±60000.0	±60000.0	±60000.0	±60000.0	±60000.0	±60000.0	±60000.0	±60000.0	±60000.0
						±40000.0	±50000.0	±60000.0	±80000.0	±80000.0	±80000.0	±80000.0	±80000.0	±80000.0	±80000.0	±80000.0	±80000.0
						±50000.0	±60000.0	±80000.0	±100000.0	±100000.0	±100000.0	±100000.0	±100000.0	±100000.0	±100000.0	±100000.0	±100000.0
						±60000.0	±80000.0	±100000.0	±120000.0	±120000.0	±120000.0	±120000.0	±120000.0	±120000.0	±120000.0	±120000.0	±120000.0
						±80000.0	±100000.0	±120000.0	±150000.0	±150000.0	±150000.0	±150000.0	±150000.0	±150000.0	±150000.0	±150000.0	±150000.0
						±100000.0	±120000.0	±150000.0	±200000.0	±200000.0	±200000.0	±200000.0	±200000.0	±200000.0	±200000.0	±200000.0	±200000.0
						±120000.0	±150000.0	±200000.0	±250000.0	±250000.0	±250000.0	±250000.0	±250000.0	±250000.0	±250000.0	±250000.0	±250000.0
						±150000.0	±200000.0	±250000.0	±300000.0	±300000.0	±300000.0	±300000.0	±300000.0	±300000.0	±300000.0	±300000.0	±300000.0
						±200000.0	±250000.0	±300000.0	±400000.0	±400000.0	±400000.0	±400000.0	±400000.0	±400000.0	±400000.0	±400000.0	±400000.0
						±250000.0	±300000.0	±400000.0	±500000.0	±500000.0	±500000.0	±500000.0	±500000.0	±500000.0	±500000.0	±500000.0	±500000.0
						±300000.0	±400000.0	±500000.0	±600000.0	±600000.0	±600000.0	±600000.0	±600000.0	±600000.0	±600000.0	±600000.0	±600000.0
						±400000.0	±500000.0	±600000.0	±800000.0	±800000.0	±800000.0	±800000.0	±800000.0	±800000.0	±800000.0	±800000.0	±800000.0
						±500000.0	±600000.0	±800000.0									