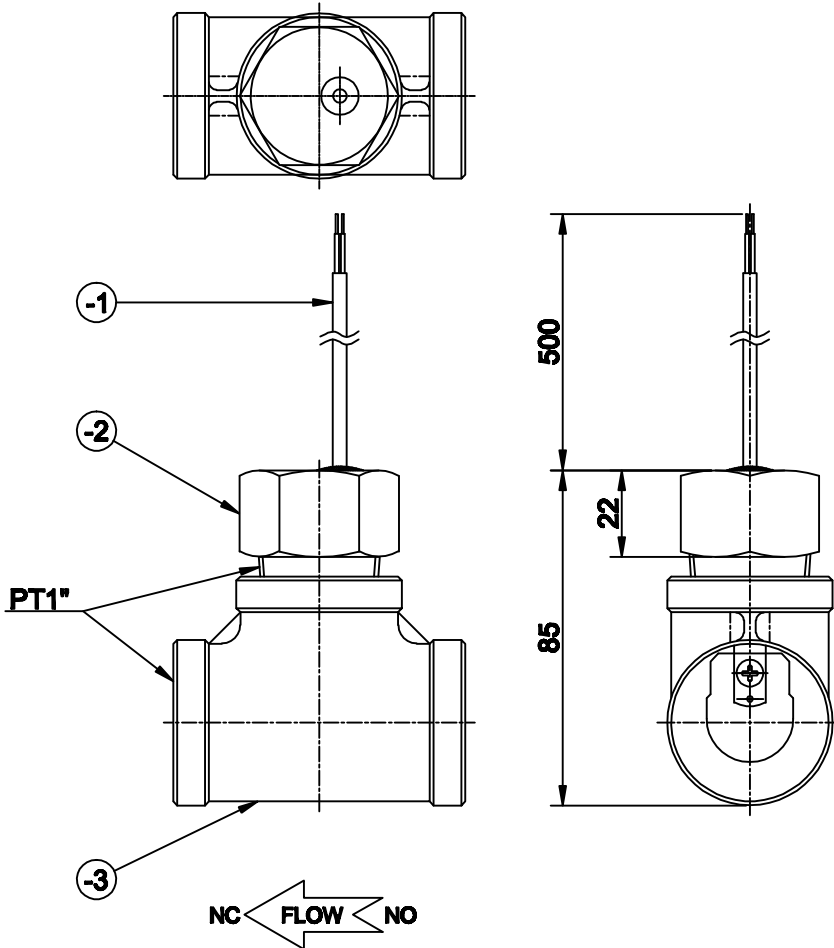


THIS DRAWING IS PROPRIETARY TO DMS  
NO PART OF THIS DRAWING MAY BE REPRODUCED  
WITHOUT THE PERMISSION OF DMS



-3	TEE	1	SUS304
-2	BODY	1	BRASS
-1	LEAD WIRES	1	P.V.C
1	DFS-2-1BRT	1BRT	-
ITEM NO	PART NAME	QTY	MATERIAL
SPECIFICATION			
MODEL NAME	DFS-2-1BRT		
PRESSURE	MAX.10Kg/cm <sup>2</sup>		
TEMPERATURE	MAX.100°C		
SWITCHING CURRENT	AC220V, 1A, 50VA		
MOUNTING METHOD	HORIZONTAL, VERTICAL		
MOUNTING SIZE	PT1"		
FLOW RATE	25~15#/Mn		
APPLICATIONS	WATER, OIL		
REMARKS :			

배부처

APPR BY	K.B.HAN	TOLERANCES-UNLESS OTHERWISE SPECIFIED				<b>• DONG SUNG SENSORS CO.,LTD.</b> TEL:(02)2025-8888-9 FAX:(02)2025-8887 (표준) DRAWN BY: J.S.LIM DESIGNED BY: K.B.HAN CHECKED BY: K.B.HAN APPROVED BY: K.B.HAN 일시: 2013.12.16. 2014.01.14.	UNIT	MM, INCH	APPAR.	-
REVISION	INITIAL RELEASE	FORM	FORM	FORM	FORM		SCALE	N/S	TITLE	DFS-2-1BRT
NO	DATE	2014.01.27	2014.01.27	2014.01.27	2014.01.27		3RD ANGLE	3각법	REF. NO	-
DATE	2014.01.27	2014.01.27	2014.01.27	2014.01.27	2014.01.27		REF. NO	참고도면	DWG. NO	-