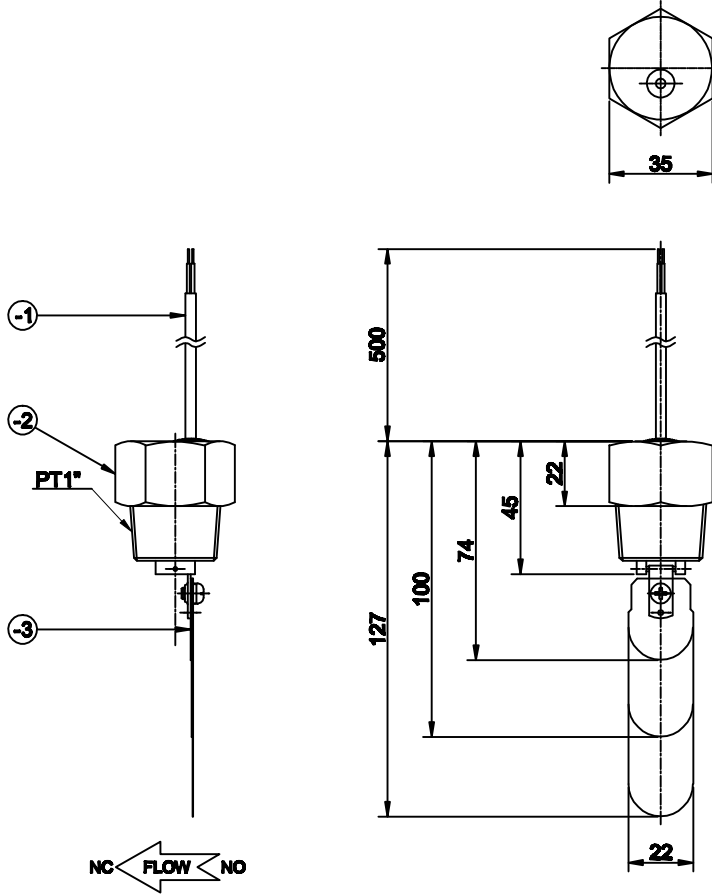


DWG NO
-

THIS DRAWING IS PROPRIETARY TO DMS
NO PART OF THIS DRAWING MAY BE REPRODUCED
WITHOUT THE PERMISSION OF DMS
02-2025-8888-9



-3	PADDLE	3	SUS304
-2	BODY	1	BRASS
-1	LEAD WIRES	1	P.V.C
1	DFS-2-1BR	1SET	-
ITEM NO	PART NAME	QTY	MATERIAL

SPECIFICATION	
MODEL NAME	DFS-2-1BR
PRESSURE	MAX.10Kg/cm ²
TEMPERATURE	MAX.100°C
SWITCHING CURRENT	AC220V, 1A, 50VA
MOUNTING METHOD	HORIZONTAL, VERTICAL
MOUNTING SIZE	PT1/8"
FLOW RATE	25~15#/Min
APPLICATIONS	WATER, OIL
REMARKS :	

배부처

NO	DATE	2014.01.27	REVISION	1	INITIAL RELEASE	2014.01.27	APPROVED BY	K.B.HAN	DATE	2014.01.27	APPROVED BY	K.B.HAN	UNIT	MM, INCH	APPAR.	-																																																																													
<table border="1"> <tr> <th colspan="8">TOLERANCES-UNLESS OTHERWISE SPECIFIED</th> <th colspan="2">DONG SUNG SENSORS CO.,LTD. TEL:(02)2025-8888-9 FAX:(02)2025-8887</th> <th>UNIT</th> <th>MM, INCH</th> <th>APPAR.</th> </tr> <tr> <td>WORK</td> <td>TURN</td> <td>HOLE</td> <td>PLUG</td> <td>HOLE</td> <td>DRILL</td> <td>DRILL</td> <td>DRILL</td> <td>DRILL</td> <td>DRILL</td> <td>DRILL</td> <td>DRILL</td> <td>DRILL</td> <td>SCALE</td> <td>N/S</td> <td>TITLE</td> <td>-</td> </tr> <tr> <td>±0.1</td> <td>±0.2</td> <td>±0.3</td> <td>±0.5</td> <td>±0.5</td> <td>±0.5</td> <td>±0.5</td> <td>±0.5</td> <td>±0.5</td> <td>±0.5</td> <td>±0.5</td> <td>±0.5</td> <td>3RD ANGLE</td> <td>3</td> <td>각</td> <td>방법</td> <td>DFS-2-1BR</td> </tr> <tr> <td>±0.1</td> <td>±0.2</td> <td>±0.3</td> <td>±0.5</td> <td>±0.5</td> <td>±0.5</td> <td>±0.5</td> <td>±0.5</td> <td>±0.5</td> <td>±0.5</td> <td>±0.5</td> <td>±0.5</td> <td>REF. NO</td> <td></td> <td>DWG. NO</td> <td>-</td> <td>도면번호</td> </tr> <tr> <td>±0.1</td> <td>±0.2</td> <td>±0.3</td> <td>±0.5</td> <td>±0.5</td> <td>±0.5</td> <td>±0.5</td> <td>±0.5</td> <td>±0.5</td> <td>±0.5</td> <td>±0.5</td> <td>±0.5</td> <td>DATE</td> <td>2013.12.16.</td> <td></td> <td></td> <td>1/1</td> </tr> </table>													TOLERANCES-UNLESS OTHERWISE SPECIFIED								DONG SUNG SENSORS CO.,LTD. TEL:(02)2025-8888-9 FAX:(02)2025-8887		UNIT	MM, INCH	APPAR.	WORK	TURN	HOLE	PLUG	HOLE	DRILL	DRILL	DRILL	DRILL	DRILL	DRILL	DRILL	DRILL	SCALE	N/S	TITLE	-	±0.1	±0.2	±0.3	±0.5	±0.5	±0.5	±0.5	±0.5	±0.5	±0.5	±0.5	±0.5	3RD ANGLE	3	각	방법	DFS-2-1BR	±0.1	±0.2	±0.3	±0.5	±0.5	±0.5	±0.5	±0.5	±0.5	±0.5	±0.5	±0.5	REF. NO		DWG. NO	-	도면번호	±0.1	±0.2	±0.3	±0.5	±0.5	±0.5	±0.5	±0.5	±0.5	±0.5	±0.5	±0.5	DATE	2013.12.16.			1/1
TOLERANCES-UNLESS OTHERWISE SPECIFIED								DONG SUNG SENSORS CO.,LTD. TEL:(02)2025-8888-9 FAX:(02)2025-8887		UNIT	MM, INCH	APPAR.																																																																																	
WORK	TURN	HOLE	PLUG	HOLE	DRILL	DRILL	DRILL	DRILL	DRILL	DRILL	DRILL	DRILL	SCALE	N/S	TITLE	-																																																																													
±0.1	±0.2	±0.3	±0.5	±0.5	±0.5	±0.5	±0.5	±0.5	±0.5	±0.5	±0.5	3RD ANGLE	3	각	방법	DFS-2-1BR																																																																													
±0.1	±0.2	±0.3	±0.5	±0.5	±0.5	±0.5	±0.5	±0.5	±0.5	±0.5	±0.5	REF. NO		DWG. NO	-	도면번호																																																																													
±0.1	±0.2	±0.3	±0.5	±0.5	±0.5	±0.5	±0.5	±0.5	±0.5	±0.5	±0.5	DATE	2013.12.16.			1/1																																																																													
<table border="1"> <tr> <td>표준</td> <td>DRAWN BY</td> <td>DESIGN BY</td> <td>CHECK BY</td> <td>APPROVED BY</td> </tr> <tr> <td>임시</td> <td>J.S.LIM</td> <td>K.B.HAN</td> <td></td> <td></td> </tr> <tr> <td>보류</td> <td></td> <td></td> <td></td> <td></td> </tr> <tr> <td>DATE</td> <td>2013.12.16.</td> <td>2014.01.14.</td> <td></td> <td></td> </tr> </table>													표준	DRAWN BY	DESIGN BY	CHECK BY	APPROVED BY	임시	J.S.LIM	K.B.HAN			보류					DATE	2013.12.16.	2014.01.14.																																																															
표준	DRAWN BY	DESIGN BY	CHECK BY	APPROVED BY																																																																																									
임시	J.S.LIM	K.B.HAN																																																																																											
보류																																																																																													
DATE	2013.12.16.	2014.01.14.																																																																																											