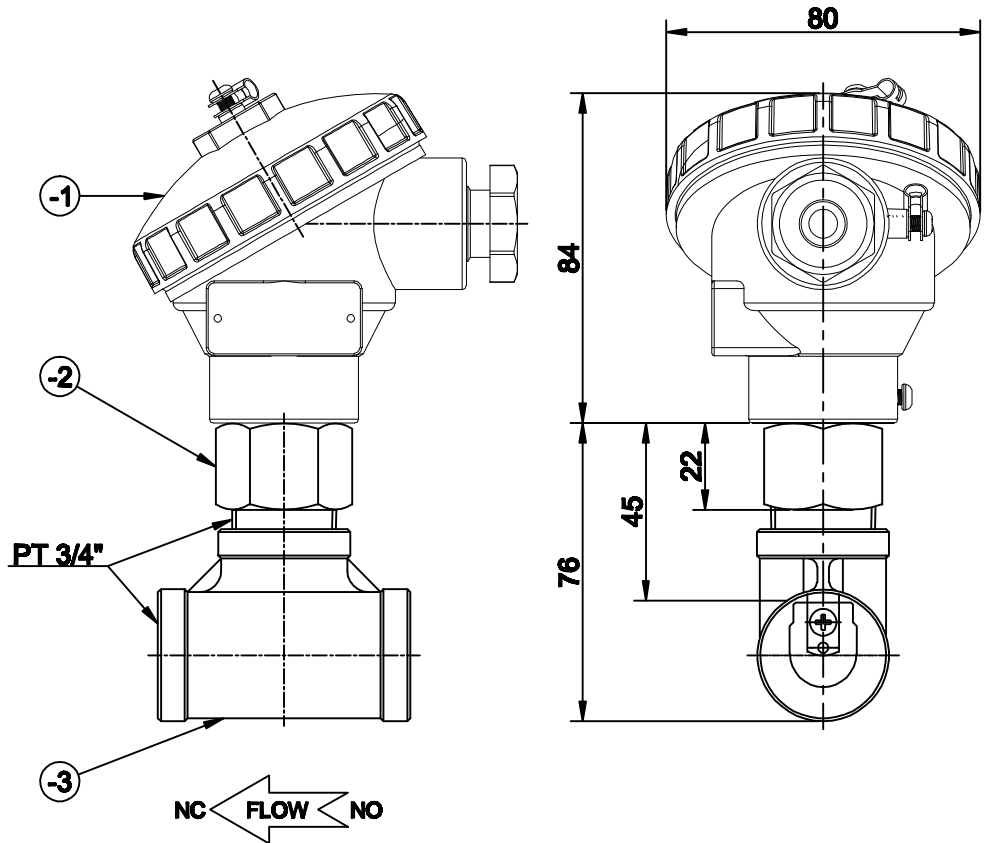


DWG NO
-

THIS DRAWING IS PROPRIETARY TO DMS
NO PART OF THIS DRAWING MAY BE REPRODUCED
WITHOUT THE PERMISSION OF DMS
수익권 보유 + 비



-3	TEE	1	SUS304
-2	BODY	1	SUS304
-1	HEAD	1	ADC12
1	DFS-2-3/4SRHT	1	1SET
ITEM NO	PART NAME	QTY	MATERIAL
SPECIFICATION			
MODEL NAME	DFS-2-3/4SRHT		
PRESSURE	MAX.10Kg/cm ²		
TEMPERATURE	MAX.100°C		
SWITCHING CURRENT	AC220V, 1A, 50VA		
MOUNTING METHOD	HORIZONTAL, VERTICAL		
MOUNTING SIZE	PT3/4"		
FLOW RATE	25~15#/Min		
APPLICATIONS	WATER, OIL		
REMARKS :			

배부처

NO	DATE	2014.01.27	TOLERANCES-UNLESS OTHERWISE SPECIFIED	DONG SUNG SENSORS CO.,LTD. TEL:(02)2025-9999-9 FAX:(02)2025-9997	UNIT	MM, INCH	APPAR.	-
	REVISION	INITIAL RELEASE			1 2 3 4	1 2 3 4		
DATE	2014.01.27				SCALE	N/S	TITLE	DFS-2-3/4SRHT
DATE	2013.12.16				3RD ANGLE	3각법	REF. NO	-
DATE	2014.01.14				DWG. NO	도면번호		1/1