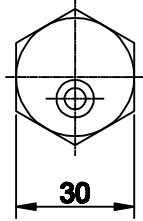
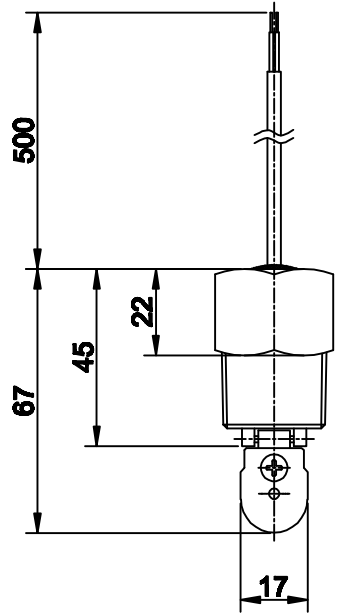
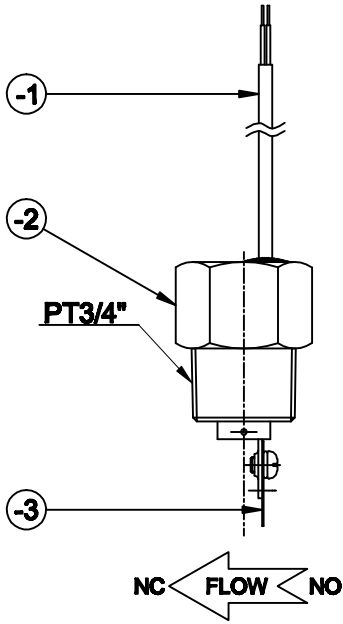


THIS DRAWING IS PROPRIETARY TO DMS  
NO PART OF THIS DRAWING MAY BE REPRODUCED  
WITHOUT THE PERMISSION OF DMS  
상시작 사내 \* 비



-3	PADDLE	1	SUS304
-2	BODY	1	SUS304
-1	LEAD WIRES	1	P.V.C
1	DFS-2-3/4SR	1SET	-
ITEM NO	PART NAME	QTY	MATERIAL
SPECIFICATION			
MODEL NAME	DFS-2-3/4SR		
PRESSURE	MAX.10Kg/cm <sup>2</sup>		
TEMPERATURE	MAX.100°C		
SWITCHING CURRENT	AC220V, 1A, 50VA		
MOUNTING METHOD	HORIZONTAL, VERTICAL		
MOUNTING SIZE	PT3/4"		
FLOW RATE	25~15#/Min		
APPLICATIONS	WATER, OIL		
REMARKS :			

배부처


NO	DATE	2014.01.27	DONG SUNG SENSORS CO.,LTD. TEL:(02)2025-8888-9 FAX:(02)2025-8887	UNIT	MM, INCH	APPAR.	-		
	REVISION	1		표 준 임시 보류	SCALE	N / S	TITLE	-	
	INITIAL RELEASE	K.L.HAN			3RD ANGLE	3 각 법	제목	DFS-2-3/4SR	
	DRAWN BY	J.S.LIM			REF. NO	참고도면	DWNG. NO	도면번호	-
	CHECK BY	K.B.HAN			DATE	2013.12.16.	2014.01.14.		1/1