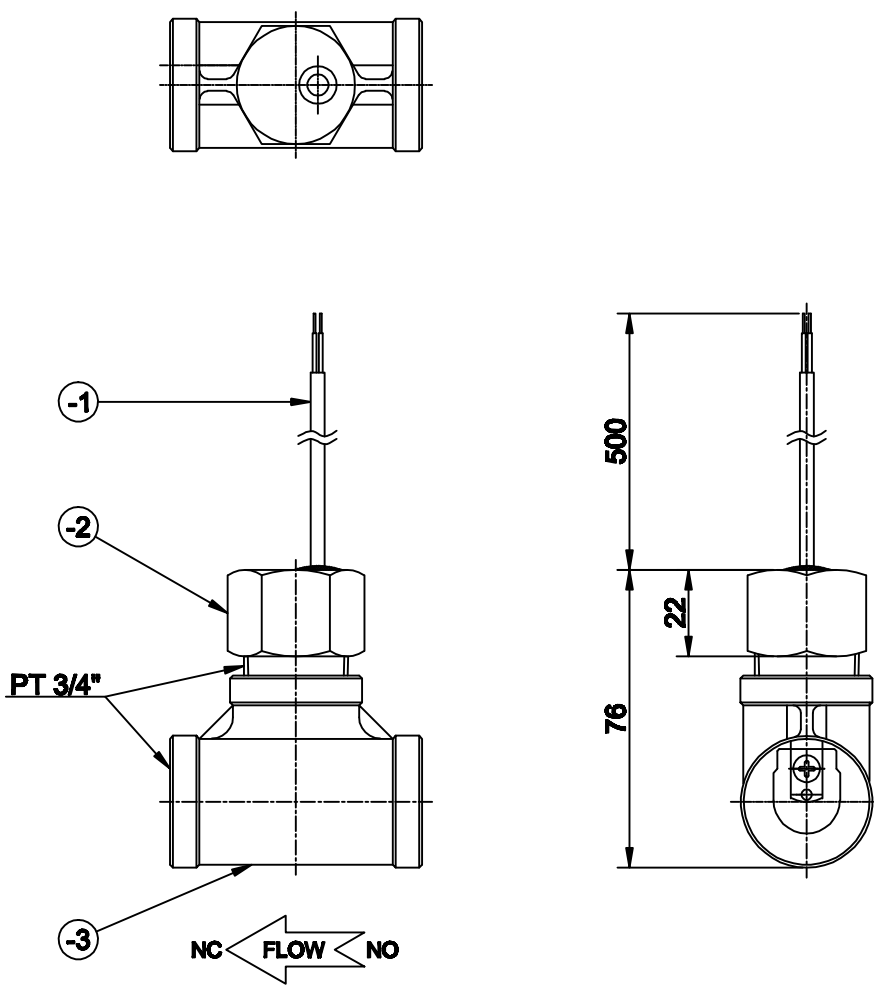


DWG NO
-

THIS DRAWING IS PROPRIETARY TO DMS
NO PART OF THIS DRAWING MAY BE REPRODUCED
WITHOUT THE PERMISSION OF DMS
수익권 보유 + 비



-3	TEE	1	SUS304
-2	BODY	1	BRASS
-1	LEAD WIRES	1	P.V.C
1	DFS-2-3/4BRT	1SET	-
ITEM NO	PART NAME	QTY	MATERIAL
SPECIFICATION			
MODEL NAME	DFS-2-3/4BRT		
PRESSURE	MAX.10Kg/cm ²		
TEMPERATURE	MAX.100°C		
SWITCHING CURRENT	AC220V, 1A, 50VA		
MOUNTING METHOD	HORIZONTAL, VERTICAL		
MOUNTING SIZE	PT3/4"		
FLOW RATE	25~15#/Min		
APPLICATIONS	WATER, OIL		
REMARKS :			

배부처

NO	DATE	2014.01.27	APPROVAL	APPROVED	DATE	2013.12.16.	2014.01.14.	<p>표준</p> <p>임시</p> <p>보류</p>	<p>DRWN BY</p> <p>J.S.LIM</p>	<p>CHKD BY</p> <p>K.B.HAN</p>	<p>DATE</p> <p>2013.12.16.</p>	
<p>UNIT</p> <p>MM, INCH</p> <p>SCALE</p> <p>N/S</p> <p>3RD ANGLE</p> <p>3 각 법</p> <p>REF. NO</p> <p>참고도면</p>												
<p>APPAR.</p> <p>-</p> <p>TITLE</p> <p>제목</p> <p>DFS-2-3/4BRT</p>												
<p>DWG. NO</p> <p>도면번호</p> <p>-</p>												
<p>1/1</p>												

TOLERANCES-UNLESS OTHERWISE SPECIFIED												
NO	DATE	REVISION	INITIAL RELEASE	APPROVAL	APPROVED	DATE	DRWN BY	CHKD BY	DATE	UNIT	SCALE	REF. NO
1	2014.01.27	1				2013.12.16.	J.S.LIM	K.B.HAN	2014.01.14.	MM, INCH	N/S	DFS-2-3/4BRT