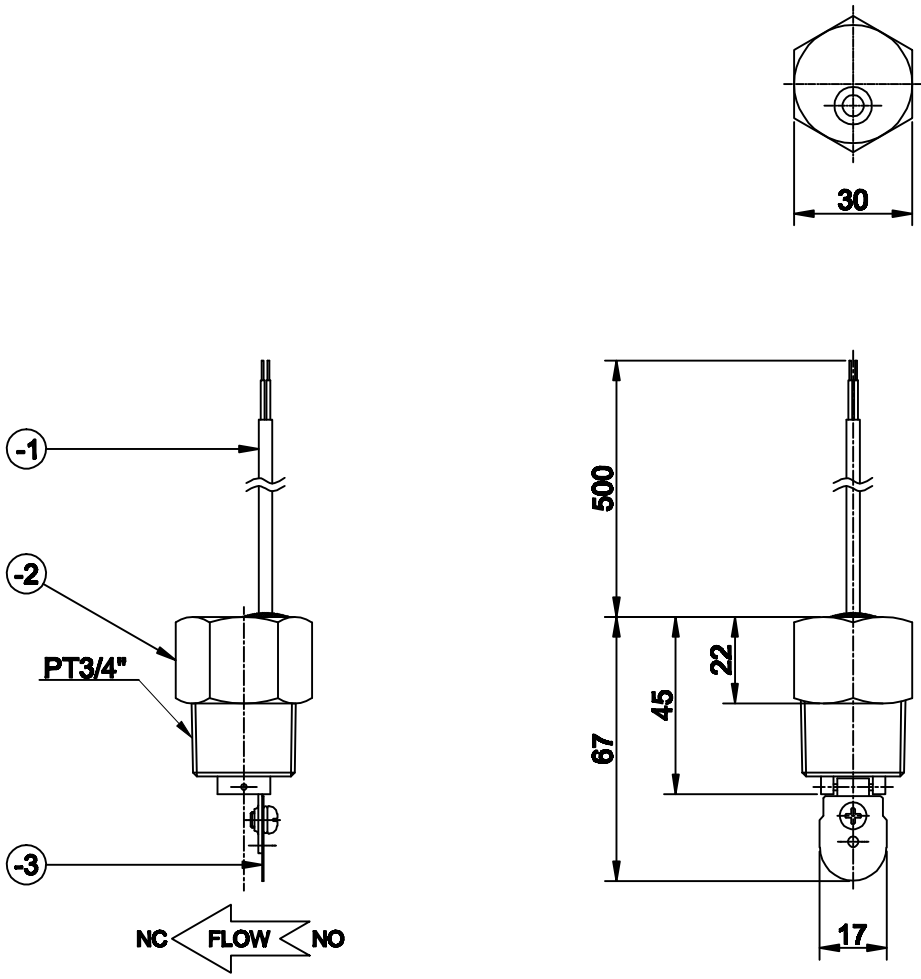


DWG NO
-

THIS DRAWING IS PROPRIETARY TO DMS
NO PART OF THIS DRAWING MAY BE REPRODUCED
WITHOUT THE PERMISSION OF DMS
DMS의 자산입니다



-3	PADDLE	1	SUS304
-2	BODY	1	BRASS
-1	LEAD WIRES	1	P.V.C
1	DFS-2-3/4BR	1SET	-
ITEM NO	PART NAME	QTY	MATERIAL
SPECIFICATION			
MODEL NAME	DFS-2-3/4BR		
PRESSURE	MAX.10Kg/cm ²		
TEMPERATURE	MAX.100°C		
SWITCHING CURRENT	AC220V, 1A, 50VA		
MOUNTING METHOD	HORIZONTAL, VERTICAL		
MOUNTING SIZE	PT3/4"		
FLOW RATE	25~15#/Min		
APPLICATIONS	WATER, OIL		
REMARKS :			

배부처

NO	DATE	2014.01.27	TOLERANCES-UNLESS OTHERWISE SPECIFIED HOLE ±0.05 SHAFT ±0.05 TYPICAL ±0.1 MAX. MIN. ±0.2 HOLE ±0.05 SHAFT ±0.05 TYPICAL ±0.1 MAX. MIN. ±0.2	DONG SUNG SENSORS CO.,LTD. TEL:(02)2025-9999-9 FAX:(02)2025-9997	UNIT	MM, INCH	APPAR.	-		
	REVISION	INITIAL RELEASE			표준 임시 보류	DRAWN BY J.S.LIM			DESIGNED BY K.B.HAN	3RD ANGLE 3 라 법
DATE	2013.12.16.	2014.01.14.	DATE	2013.12.16.	2014.01.14.	REF. NO	참고도면	DWG. NO	-	1/1