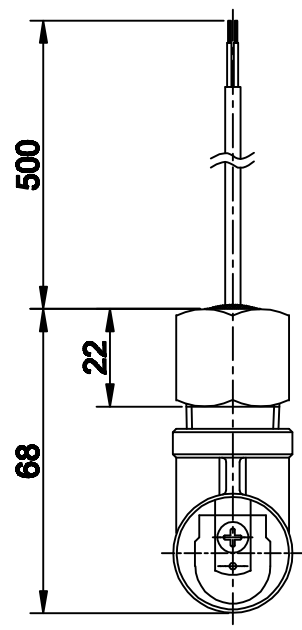
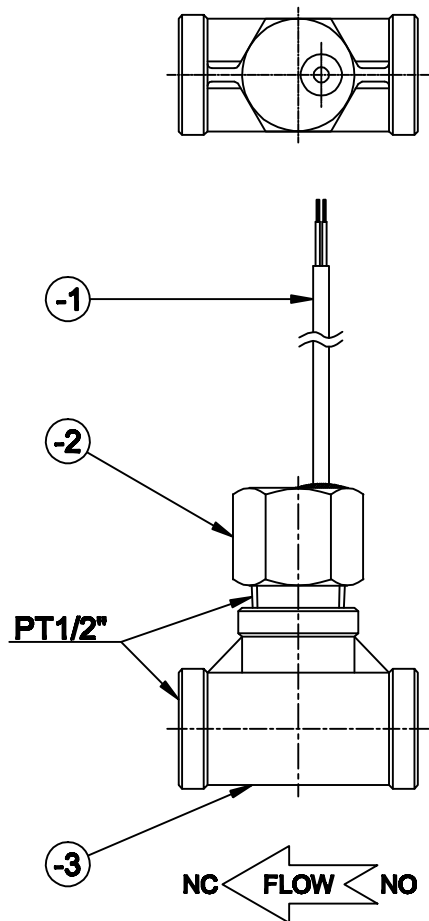


DWG NO  
상위도

-

THIS DRAWING IS PROPRIETARY TO DMS  
NO PART OF THIS DRAWING MAY BE REPRODUCED  
WITHOUT THE PERMISSION OF DMS  
상위도 차폐 + 배



-3	TEE	1	SUS304
-2	BODY	1	SUS304
-1	LEAD WIRES	1	P.V.C
1	DFS-2-1/2SRT	1SET	-
ITEM NO	PART NAME	QTY	MATERIAL

SPECIFICATION	
MODEL NAME	DFS-2-1/2SRT
PRESSURE	MAX.10Kg/cm <sup>2</sup>
TEMPERATURE	MAX.100°C
SWITCHING CURRENT	AC220V, 1A, 50VA
MOUNTING METHOD	HORIZONTAL, VERTICAL
MOUNTING SIZE	PT1/2"
FLOW RATE	25~15#/Min
APPLICATIONS	WATER, OIL
REMARKS :	

배부처

NO	DATE	REVISION	INITIAL RELEASE	DATE	APPR BY	K.B.HAN	DATE	2014.01.27	APPR BY	K.B.HAN	DATE	2014.01.27	APPR BY	K.B.HAN	DATE	2014.01.27	APPR BY	K.B.HAN	DATE	2014.01.27	APPR BY	K.B.HAN	DATE	2014.01.27																																									
TOLERANCES-UNLESS OTHERWISE SPECIFIED												<b>DONG SUNG SENSORS CO.,LTD.</b> TEL:(02)2025-9999-9 FAX:(02)2025-9997				UNIT	MM, INCH	APPAR.	-																																														
<table border="1"> <tr> <th>NO</th> <th>DATE</th> <th>REVISION</th> <th>INITIAL RELEASE</th> <th>DATE</th> <th>APPR BY</th> <th>K.B.HAN</th> <th>DATE</th> <th>2014.01.27</th> <th>APPR BY</th> <th>K.B.HAN</th> <th>DATE</th> <th>2014.01.27</th> <th>APPR BY</th> <th>K.B.HAN</th> <th>DATE</th> <th>2014.01.27</th> <th>APPR BY</th> <th>K.B.HAN</th> <th>DATE</th> <th>2014.01.27</th> <th>APPR BY</th> <th>K.B.HAN</th> <th>DATE</th> <th>2014.01.27</th> </tr> <tr> <td>1</td> <td></td> <td></td> <td></td> <td></td> <td></td> <td></td> <td></td> <td></td> <td></td> <td></td> <td></td> <td></td> <td></td> <td></td> <td></td> <td></td> <td></td> <td></td> <td></td> <td></td> <td></td> <td></td> <td></td> <td></td> </tr> </table>												NO	DATE	REVISION	INITIAL RELEASE	DATE	APPR BY	K.B.HAN	DATE	2014.01.27	APPR BY	K.B.HAN	DATE	2014.01.27	APPR BY	K.B.HAN	DATE	2014.01.27	APPR BY	K.B.HAN	DATE	2014.01.27	APPR BY	K.B.HAN	DATE	2014.01.27	1																									SCALE	N/S	TITLE	DFS-2-1/2SRT
NO	DATE	REVISION	INITIAL RELEASE	DATE	APPR BY	K.B.HAN	DATE	2014.01.27	APPR BY	K.B.HAN	DATE	2014.01.27	APPR BY	K.B.HAN	DATE	2014.01.27	APPR BY	K.B.HAN	DATE	2014.01.27	APPR BY	K.B.HAN	DATE	2014.01.27																																									
1																																																																	
<table border="1"> <tr> <td>표준</td> <td>DRWN BY</td> <td>J.S.LIM</td> <td>DATE</td> <td>2013.12.13.</td> </tr> <tr> <td>임시</td> <td>CHKD BY</td> <td>K.B.HAN</td> <td>DATE</td> <td>2014.01.13.</td> </tr> <tr> <td>보류</td> <td>DATE</td> <td>2013.12.13.</td> <td>2014.01.13.</td> <td></td> </tr> </table>												표준	DRWN BY	J.S.LIM	DATE	2013.12.13.	임시	CHKD BY	K.B.HAN	DATE	2014.01.13.	보류	DATE	2013.12.13.	2014.01.13.		3RD ANGLE	3 각 법	REF. NO	참고도면	DWG. NO	도면번호	-	1/1																															
표준	DRWN BY	J.S.LIM	DATE	2013.12.13.																																																													
임시	CHKD BY	K.B.HAN	DATE	2014.01.13.																																																													
보류	DATE	2013.12.13.	2014.01.13.																																																														