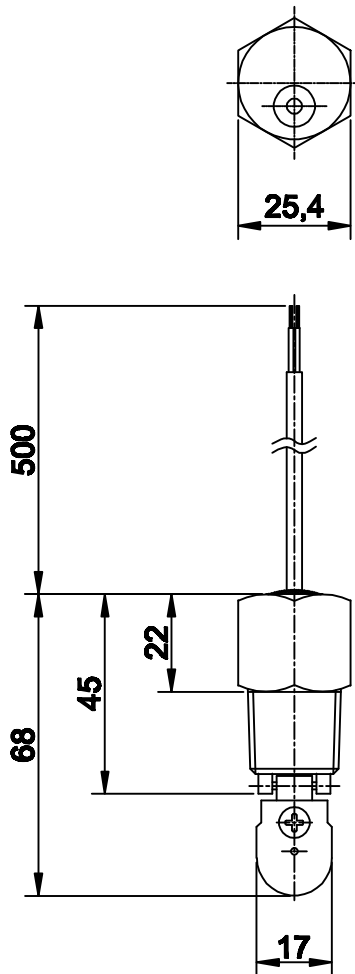
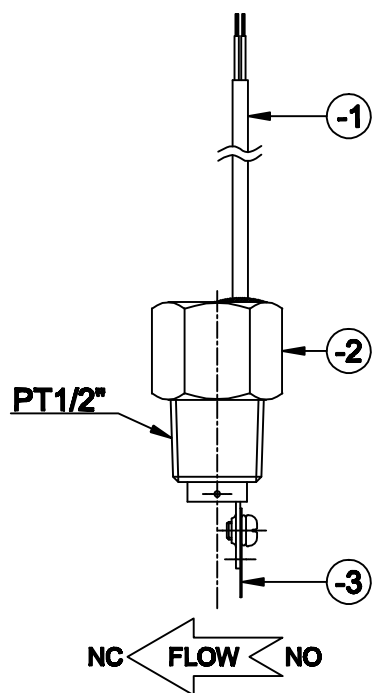


DWG NO  
SUS 03

THIS DRAWING IS PROPRIETARY TO DMS  
NO PART OF THIS DRAWING MAY BE REPRODUCED  
WITHOUT THE PERMISSION OF DMS



-3	PADDLE	1	SUS304
-2	BODY	1	BRASS
-1	LEAD WIRES	1	P.V.C
1	DFS-2-1/2BR	1SET	-
ITEM NO	PART NAME	QTY	MATERIAL

SPECIFICATION	
MODEL NAME	DFS-2-1/2BR
PRESSURE	MAX.10Kg/cm <sup>2</sup>
TEMPERATURE	MAX.100°C
SWITCHING CURRENT	AC220V, 1A, 50VA
MOUNTING METHOD	HORIZONTAL, VERTICAL
MOUNTING SIZE	PT 1/2"
FLOW RATE	25~15#/Min
APPLICATIONS	WATER, OIL

REMARKS :

배 부 처

APPRO BY K.L. HAN	TOLERANCES-UNLESS OTHERWISE SPECIFIED				<p><b>DONG SUNG SENSORS CO.,LTD.</b> TEL:(02)2025-9989-9 FAX:(02)2025-9987</p> <p>표준</p> <p>임시</p> <p>보류</p> <p>DATE</p>	UNIT 단위	MM, INCH	APPAR.	-
REVISION	NO	DATE	DESCRIPTION	SCALE		N/S	3RD ANGLE 3 각 법	TITLE 제목	DFS-2-1/2BR
NO	DATE	2014.01.27		REF. NO 참고도면		DWG. NO 도면번호			
				DATE		2013.12.13.	2014.01.13.		

APPRO BY K.L. HAN	TOLERANCES-UNLESS OTHERWISE SPECIFIED				<p><b>DONG SUNG SENSORS CO.,LTD.</b> TEL:(02)2025-9989-9 FAX:(02)2025-9987</p> <p>표준</p> <p>임시</p> <p>보류</p> <p>DATE</p>	UNIT 단위	MM, INCH	APPAR.	-
REVISION	NO	DATE	DESCRIPTION	SCALE		N/S	3RD ANGLE 3 각 법	TITLE 제목	DFS-2-1/2BR
NO	DATE	2014.01.27		REF. NO 참고도면		DWG. NO 도면번호			
				DATE		2013.12.13.	2014.01.13.		