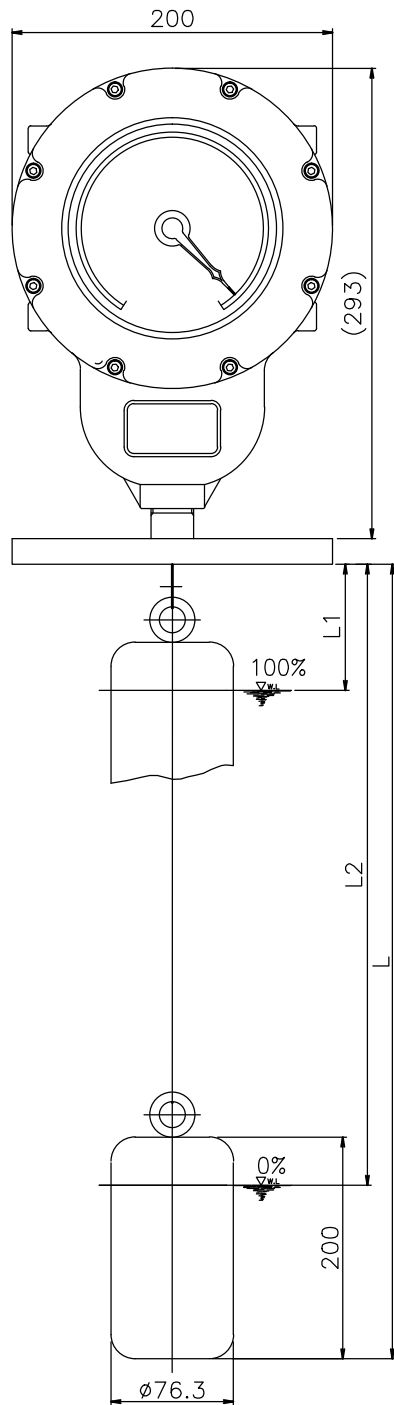


상하부
DIN 9740

THIS DRAWING IS PROPRIETARY TO DSS
NO PART OF THIS DRAWING MAY BE
REPRODUCED WITHOUT THE PERMISSION OF DSS
이 도면의 복사 및 수정은 허가되지 않습니다.



SPECIFICATION	
MODEL NAME	DGL-300S
MEASURING MATERIAL	LIQUID
OUTPUT	4~20mA + DIAL DISPLAY
ACCURACY	±20mm
MEASURING RANGE	MAX. 10m
SPECIFIC GRAVITY	0.8
OPERATING PRESSURE	MAX 0.2Kg.f/cm2
AMBIENT TEMPERATURE	MAX -20~+80°C
BLANKING AREA	100mm
DIMENSION	200(W)x293(H)x202(D)
MOUNTING SIZE	ORDER MADE
FLOAT DIMENSION	ø76.3x200(H)
ENCLOSURE MATERIAL	WEATHER PROOF BODY : SMC FLANGE : SUS304 WIRE : SUS316
	FLOAT : SUS304
INPUT POWER	DC15~32V, 2WIRE LOOP
LOOP IMPEDANCE	450 Ohme (DC24V)
CALIBRATION	ZERO & SPAN
REMARKS:	MEASURING LENGTH=ORDER SPEC.(L1,L2)

배부처

NO	DATE	REVISION	BY	K.B. HAN	TOLERANCES-UNLESS OTHERWISE SPECIFIED						DONG SUNG SENSORS CO.,LTD. TEL:(02)2025-8988~9 FAX:(02)2025-8987	UNIT 단위	MM, INCH	APPAR.	TITLE 제목
					Ø DIA	TURN PUNCH SIZE	HOLE STR.	HOLE DIA	PLATE THK	SHMET WELD GAS CTG					
1	4	± 0.1	± 0.2	± 0.2	± 0.5	표준	DRWN BY	DSND BY	CHKD BY	APPD BY	SCALE	N/S			
4	16	± 0.2	± 0.3	± 0.5	± 0.7	임시	J.H.HAN	K.B.HAN			3RD ANGLE				
16	63	± 0.3	± 0.4	± 0.7	± 0.9	보류									
63	250	± 0.4	± 0.6	± 1.2	± 1.3										
250	500	± 0.6	± 0.8	± 1.5	± 1.8										
500	1000	± 0.8	± 1.0	± 2.0	± 2.5										
1000	2000	± 1.2	± 1.5	± 2.5	± 3.3										
ANGLE	25°	± .5°	± 1.0°	± 2.0°		DATE	2017.08.21.	2017.08.21.			REF. NO	DWG. NO		1/1	