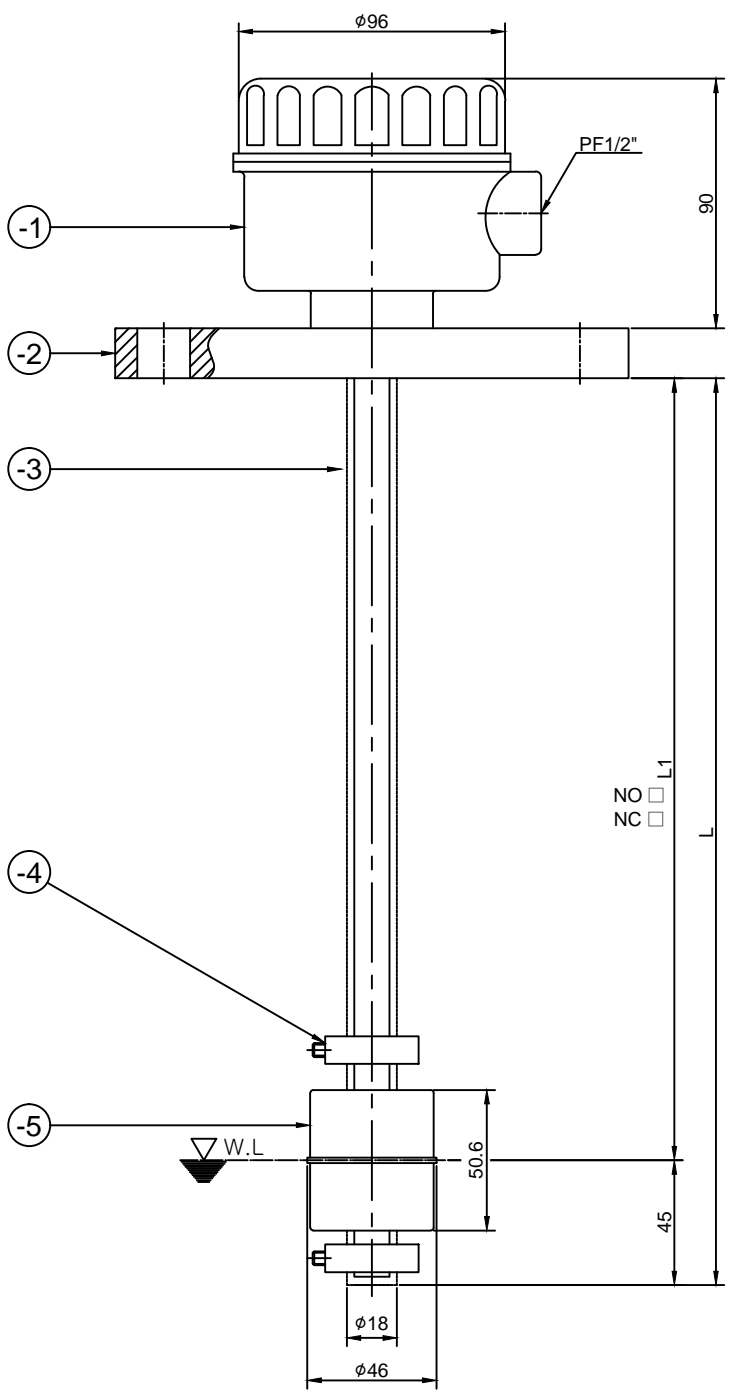


DWG NO  
-

THIS DRAWING IS PROPRIETARY TO DSS  
NO PARTS OR INFORMATION CAN BE REPRODUCED  
WITHOUT THE PERMISSION OF DSS  
본 도면은 DSS의 독점 재산입니다. 무단으로 복제할 수 없습니다.



NO  L1  
NC

(UNIT:mm)

ITEM NO	PART NAME	QTY	MATERIAL
-5	FLOAT	1	P.P
-4	STOPPER	2	P.V.C
-3	PIPE	1	SUS304+P.V.C
-2	FLANGE	1	P.V.C
-1	HEAD	1	A.B.S
1	DC-10V-1F	1SET	-

SPECIFICATION	
MODEL NAME	DC-10V-1F
PRESSURE	MAX.2Kg/cm <sup>2</sup>
TEMPERATURE	MAX. -10 ~ +60°C
APPLICATIONS	WATER, MEDICAL LIQUID
SWITH CURRENT	AC220V, 1A
MOUNTING METHOD	TOP
MOUNTING SIZE	ORDER MADE
MATERIAL	P.V.C
REMARKS :	
ORDER MADE(L, L1 L=L1+45)	

NO	DATE	REVISION	APPD BY	CHK BY	INITIAL RELEASE
	2014.01.27		J.H.HAN		

TOLERANCES-UNLESS OTHERWISE SPECIFIED					
WORK SIZE	TURN FINISH DIST OF HOLE STR.	MLD G. DRG. PRON. C. CTG. DRAW.	SH. MET WELD CAR. CTG.	CASTG. FORG.	
OVER 1	4	±0.1	±0.2	±0.3	±0.5
4	16	±0.2	±0.3	±0.5	±0.7
16	63	±0.3	±0.4	±0.7	±0.9
63	250	±0.4	±0.5	±1.2	±1.3
250	500	±0.6	±0.8	±1.5	±1.8
500	1000	±0.8	±1.0	±2.0	±2.5
1000	2000	±1.2	±1.5	±2.5	±3.3
ANGLE		±.25°	±.5°	±1.0°	±2.0°

**DONG SUNG SENSORS CO.,LTD**  
TEL:(02)2025-8988-9 FAX:(02)2025-8987

DRWN BY: J.H.HAN  
DSND BY: K.B.HAN  
CHKD BY: K.B.HAN  
APPD BY: K.B.HAN

DATE: 2021.10.06 2021.10.06

UNIT: MM, INCH  
SCALE: 3/4 N/S  
3RD ANGLE 3각법  
REF. NO: 참고도면  
DWG. NO: 도면번호

APPAR. 제목: DC-10V-1F  
1/1