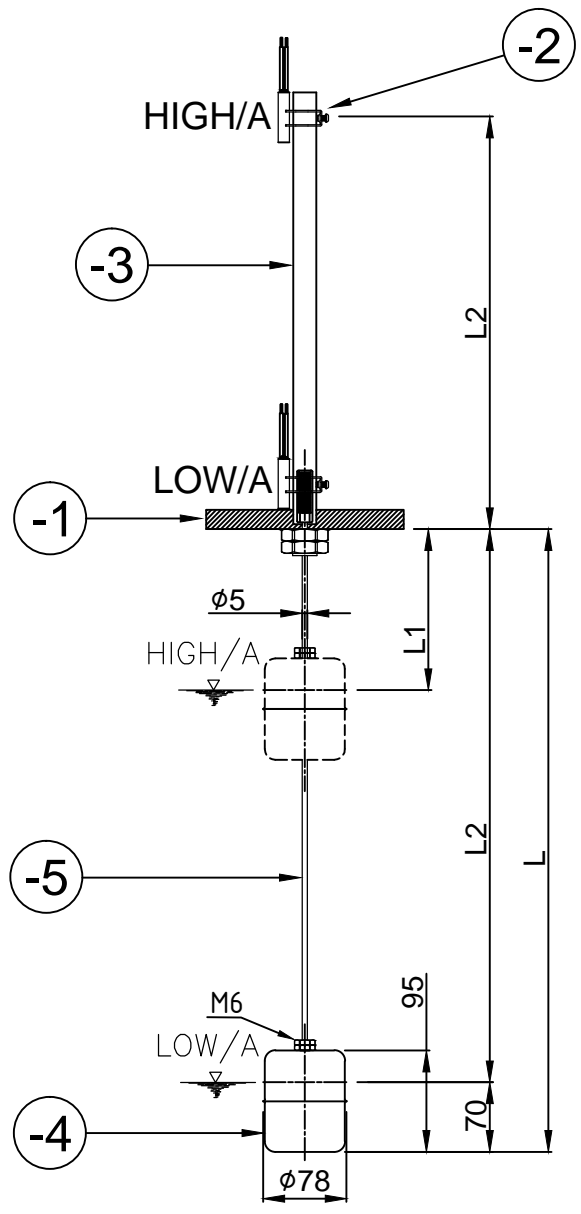


ON G/W/D
ON G/W/D

THIS DRAWING IS PROPRIETARY TO DSS
NO PART OF THIS DRAWING MAY BE REPRODUCED
WITHOUT THE PERMISSION OF DSS
본 도면은 DSS사의 기밀로써 무단 복제 및 배포를 금지합니다.



(UNIT:mm)

L	L1	L2	-	-
-				
-5	SHAFT	1	SUS304	
-4	FLOAT	1	SUS304	
-3	PIPE	1	SUS304	
-2	STOPPER	2	SUS304	
-1	FLANGE	1	SUS304	
1	DC-20S-1F-2PT	1SET	-	
ITEM NO.	PART NAME	QTY	MATERIAL	
SPECIFICATION				
MODEL NAME		DC-20S-1F-2PT		
PRESSURE		MAX.5Kgf/cm ²		
TEMPERATURE		-40 ~ 250°C		
APPLICATIONS		HIGH VISCOCITY LIQUID		
OUTPUT SIGNAL		H.L		
INPUT SINGAL		DC24V		
MOUNTING METHOD		TOP		
MOUNTING SIZE		ORDER MADE		
LENGTH(L)		ORDER MADE (Max.1500)		
REMARKS :				
ORDER MADE(L1, L2, L=L2+70)				

배부처	

TOLERANCES-UNLESS OTHERWISE SPECIFIED

WORK SIZE	TURM PCHNG DIST. OF HOLE STR.	MILDG. DIE CSTG. PRCN. CSTG. DRW.	SHMET VELD GAS CTG.	CSTG. FORG.
1 4	±0.1	±0.2	±0.3	±0.5
4 16	±0.3	±0.3	±0.5	±0.7
16 63	±0.3	±0.4	±0.7	±0.9
63 250	±0.4	±0.5	±1.2	±1.3
250 500	±0.6	±0.8	±1.5	±1.8
500 1000	±0.8	±1.0	±2.0	±2.5
1000 2000	±1.0	±1.5	±2.5	±3.3
ANGLE	±.25°	±.5°	±1.0°	±2.0°

DONG SUNG SENSORS CO.,LTD.
TEL:(02)2025-8988-9 FAX:(02)2025-8987

인시	DRWN BY J.H.HAN	DSND BY K.B.HAN	CHKD BY K.B.HAN	APPD BY K.B.HAN
표	DATE 2018.02.05.			DATE 2018.02.06.

UNIT 단위	MM, INCH	APPAR.	
SCALE 척도	N / S	TITLE 제목	DC-20S-1F-2PT
3RD ANGLE 3 각 법		DWG. NO 도면번호	-
REF. NO 참고도면			1/1